



Yes, you can.®

## Spare Parts Catalogue

---

Version: 2010/02/04a EN



Invacare® **Wheeler**



Confidence in posture solutions





**Yes, you can.®**

## **General Information**

*For any order of spare parts the following information is required:*

- Product type*
- Product name & model*
- Serial Number*
- Part-Number*
- Part-Description*

*Exploded view drawings and code numbers are not contractual and subject to modification, in relation to Invacare® continuous product improvement policy to meet end users needs.*

*The reproduction or use of this work, or of any substantial part of this work, in any form or by any electronic, mechanical or other means, including photocopying, scanning and recording, and in any information storage and retrieval system, including electronic transmission, is forbidden without the prior written permission of Invacare® International Sarl.*



Yes, you can.®

## TABLE OF CONTENTS

---

### Chassis

Chassis .....	5
Rear wheel attachment .....	6
Seat tilt, rigging screw .....	7
Seat tilt, gas piston .....	8
Seat tilt, foot operated .....	9

### Seat

Seat adj. ....	10
Seat cushion, adj. seat .....	11
Comfort seat plate .....	12
Seat cushion, comfort seat .....	13

### Backrest

Backrest tubes .....	14
Backrest upholstery .....	15
Backrest "Comfort" .....	16
Push handles, height adj. ....	17
Push bar .....	18

### Legrests

Legrest .....	19
Plaster legrest .....	20

### Footrests

Lower leg support, adj. ....	21
------------------------------	----

### Siderests

Armrests .....	22
Mudguard 20-24" wheel .....	23

### Front Wheels

Castor wheels .....	24
---------------------	----

### Rear Wheels

Kit, wheel 16" .....	25
Wheel 24-22-20" (=> 2010.04) .....	26
Wheel 24-22-20" DB (=> 2010.04) .....	29
Spokeguard .....	31

### Brakes

Brake .....	32
Brake extender .....	33
Drum brake kit 20"- 24" .....	34

### Safety Options



**Yes, you can.®**

## **TABLE OF CONTENTS**

---

Pelvic belt .....	35
Pelvic belt, 4-point .....	36
Reflector .....	37
Anti-tip device .....	38

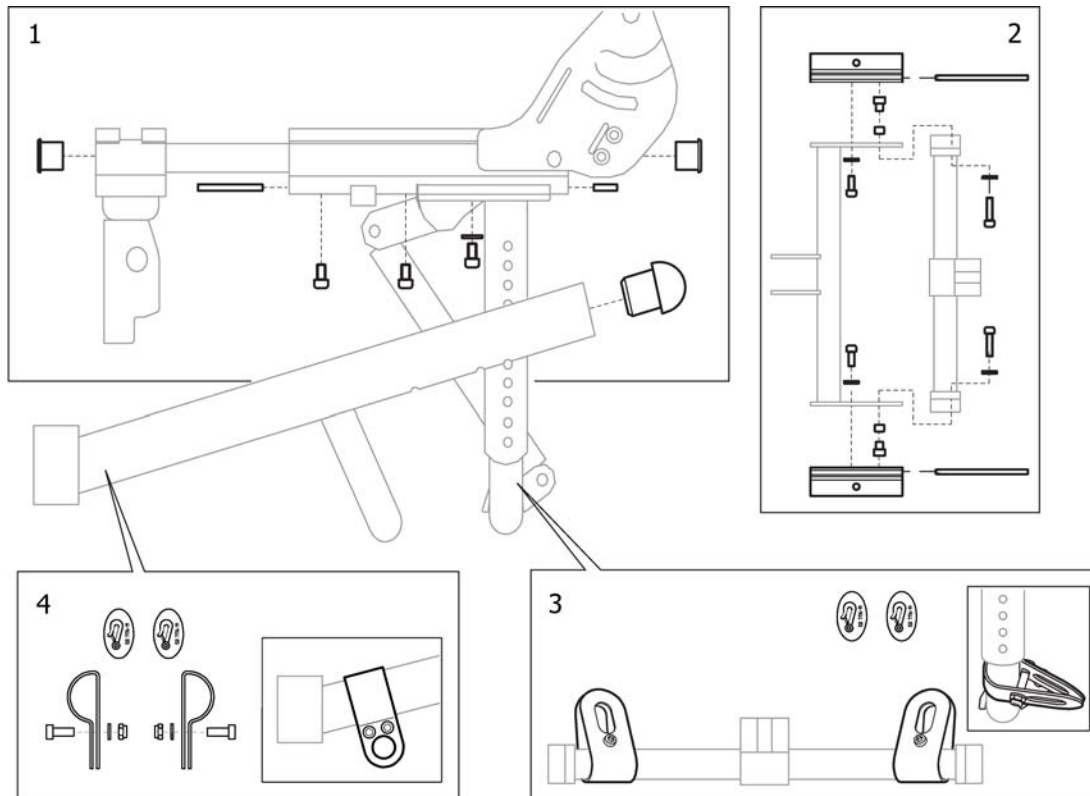
### **Seating Options**

Neckrest/ headrest .....	39
Trunk support, comfort .....	40
Trunk support, foldable .....	41
Pommel .....	42
Hip support .....	43

### **Others Options & Accessories**

Pump .....	44
Wheelchair bag .....	45
Table tray .....	46
Position table .....	47

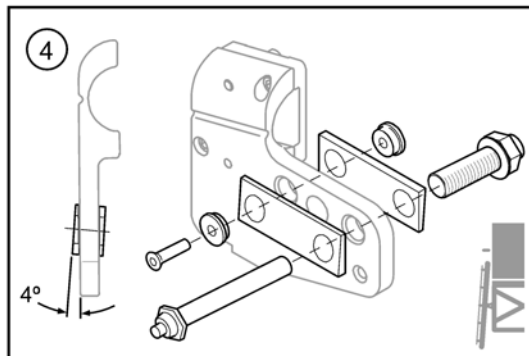
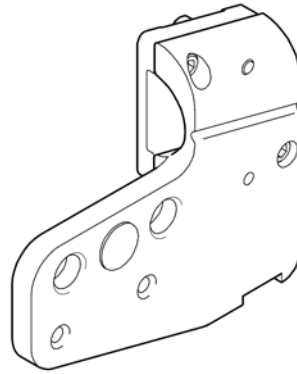
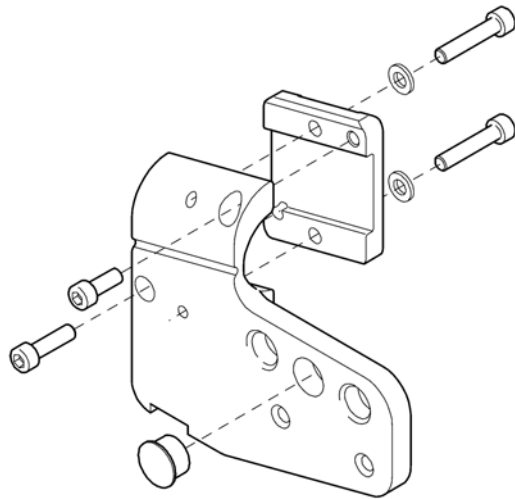
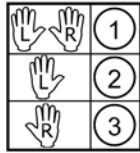
# Chassis



Pos.	Part number	Description	Valid from → until	Qty
1	1513139	FITTING KIT, SEATFRAME, WHEELER		1
2	1513140	FITTING KIT, UNDERFRAME, WHEELER		1
3	1422615	TRANSPORT ATT REAR,WHE		1
4	1422764	TRANSPORT ATT. FRONT,CPL		1

# Rear wheel attachment

SPS1513146

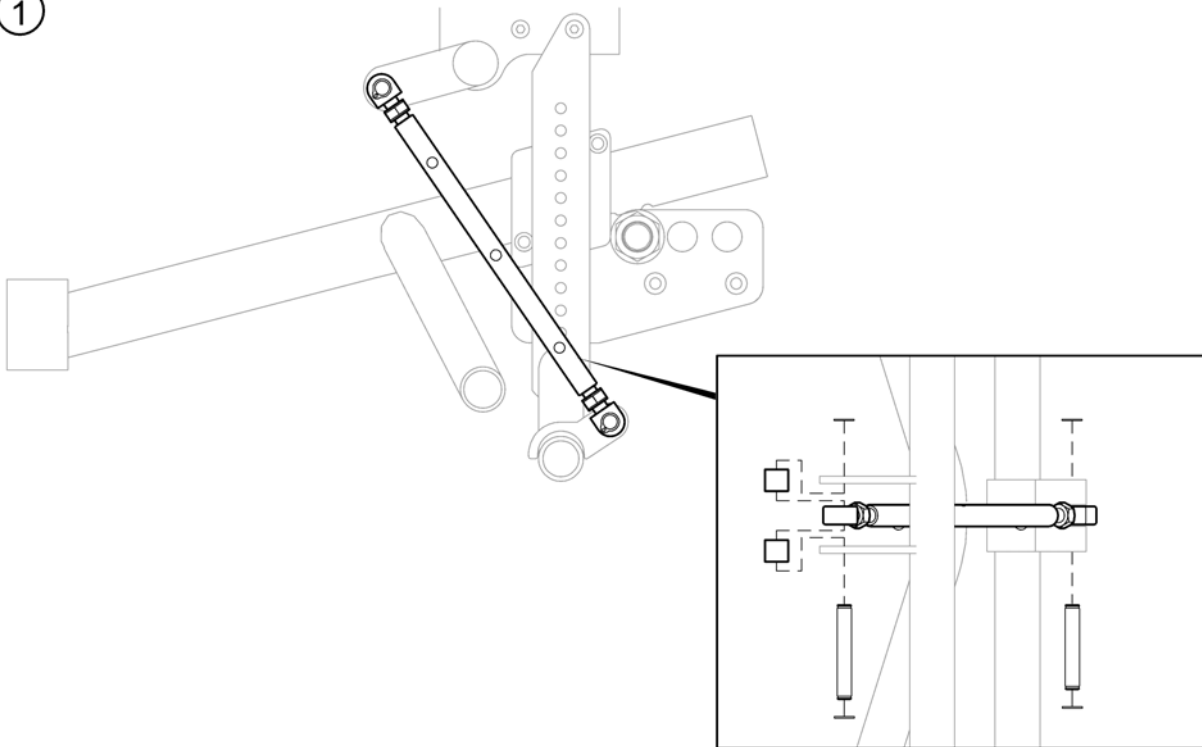


Pos.	Part number	Description	Valid from → until	Qty
1	1513147	ATTACHMENT, REARWHEEL, PAIR, WHEELER		1
2	1513145	ATTACHMENT, REARWHEEL, LE, WHEELER		1
3	1513146	ATTACHMENT, REARWHEEL, RI, WHEELER		1
4	5108158	4° CAMBER KIT CPL, WHE		1

# Seat tilt, rigging screw

SPS510806S

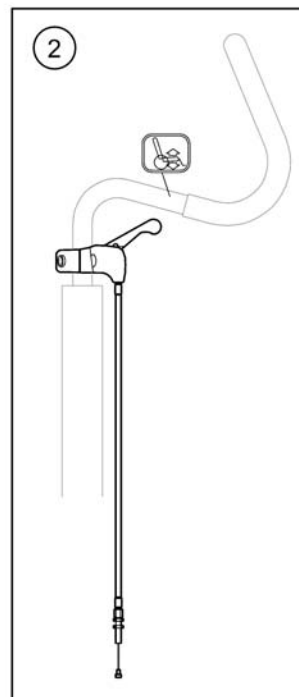
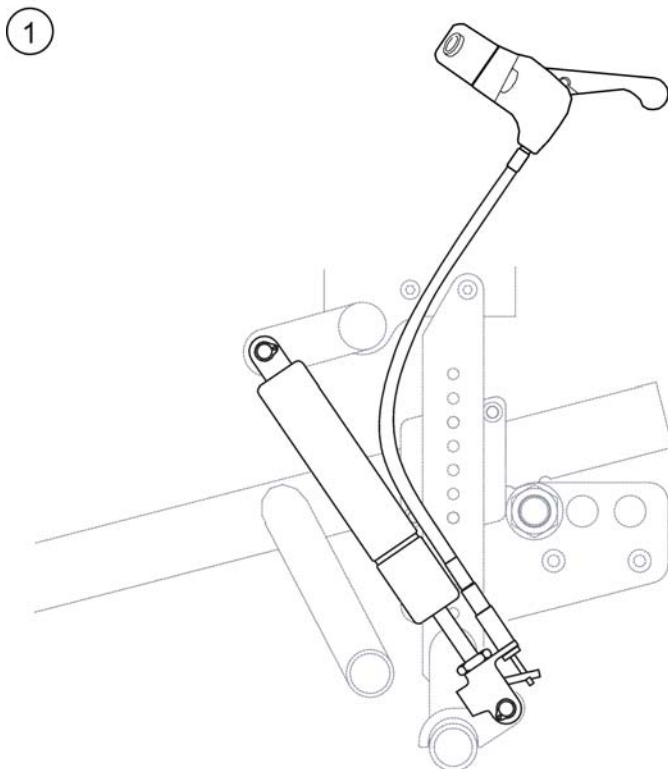
①



Pos.	Part number	Description	Valid from → until	Qty
1	5108069	MECHANICAL SEAT MAN,WHE		1

# Seat tilt, gas piston

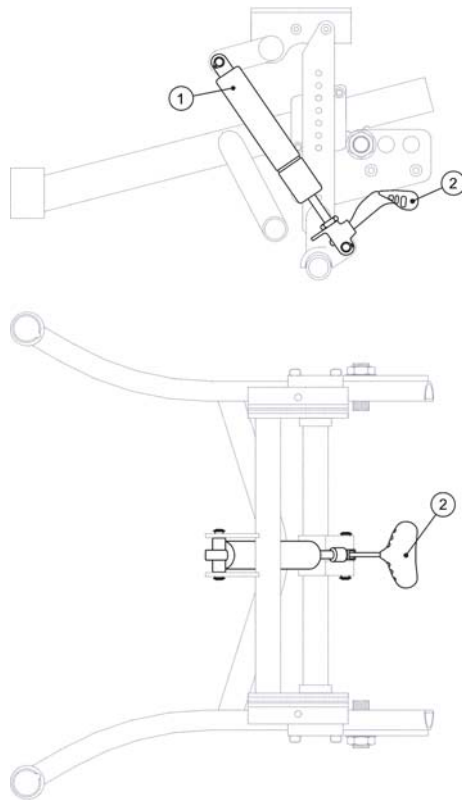
SPS5108071



Pos.	Part number	Description	Valid from → until	Qty
1	5108656	SEAT ADJ GAS PISTON,WHE		1
2	5108657	CABLE ASSAY SEATMAN HAND		1



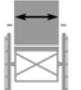
## Seat tilt, foot operated

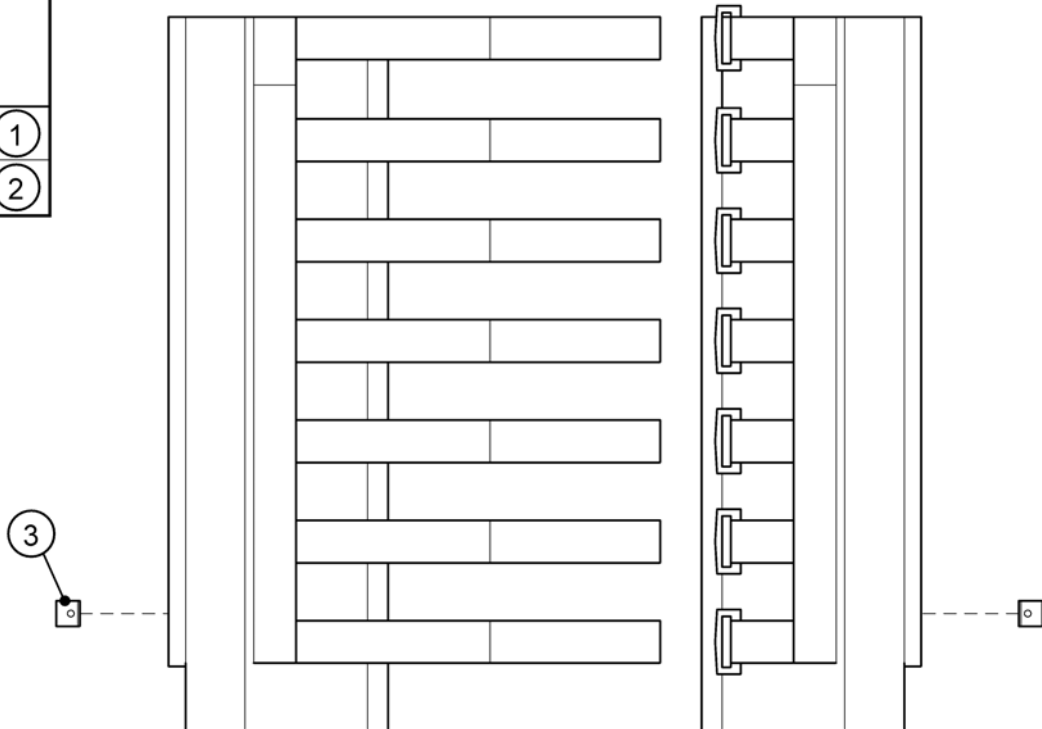


Pos.	Part number	Description	Valid from → until	Qty
	5108070	ASS.MAN SEAT FOOT, WHE		1
1	5108656	SEAT ADJ GAS PISTON,WHE		1
2	5108634	PEDAL ACTUATOR, WHE		1

# Seat adj.

SPS510846€

	
SW (cm)	
26 - 29	1
32 - 35	2



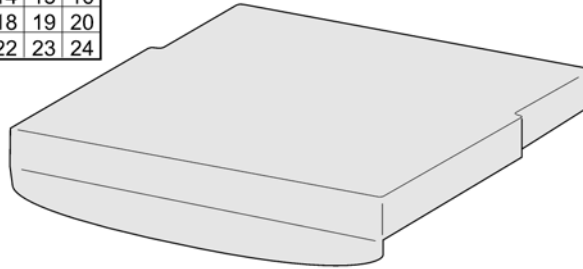
Pos.	Part number	Description	Valid from → until	Qty
1	5108466	SEATUPH. 26/29 CPL, WHE		1
2	5108383	SEATUPH. 32/35 CPL, WHE		1
3	5255387	LOCK ADJUSTABLE BACK,BEL		1

SPS5108484

				
	SW (cm)			
	26	29	32	35
Grey dartex	1	2	3	4
Blue plush, checked	5	6	7	8
Yellow plush, "teddy"	9	10	11	12


				
Grey dartex	13	14	15	16
Blue plush, checked	17	18	19	20
Yellow plush, "teddy"	21	22	23	24

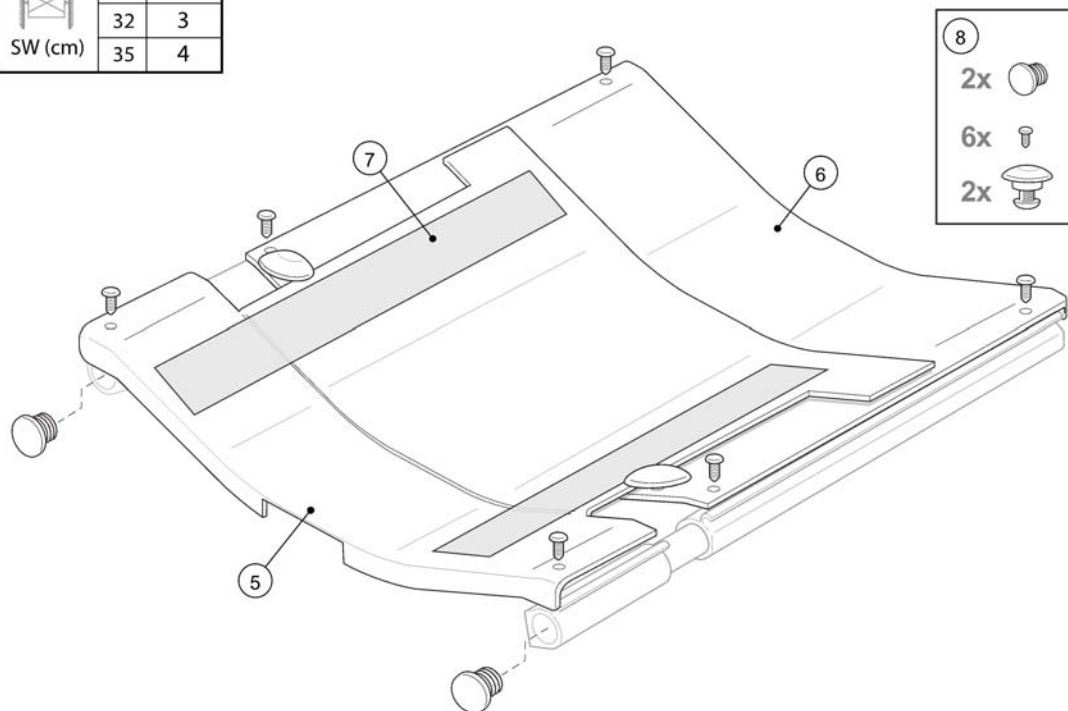


Pos.	Part number	Description	Valid from → until	Qty
1	5108484	CUSH. ADJ SEAT 26, BLACK		1
14	5108612	UPH SEAT ADJ 29 BLA, WH		1
2	5108485	CUSH. ADJ SEAT 29, BLACK		1
3	5108486	CUSH. ADJ SEAT 32, BLACK		1
4	5108487	CUSH. ADJ SEAT 35, BLACK		1
5	5108488	CUSHION ADJ SEAT 26, BLUE		1
6	5108489	CUSHION ADJ SEAT 29, BLUE		1
7	5108490	CUSHION ADJ SEAT 32, BLUE		1
8	5108491	CUSHION ADJ SEAT 35, BLUE		1
9	5108639	CUSH ADJ SEAT 26, TEDDY		1
10	5108640	CUSH ADJ SEAT 29, TEDDY		1
11	5108641	CUSH ADJ SEAT 32, TEDDY		1
12	5108642	CUSH ADJ SEAT 35, TEDDY		1
13	5108611	UPH SEAT ADJ 26 BLA, WH		1
15	5108613	UPH SEAT ADJ 32 BLA, WH		1
16	5108614	UPH SEAT ADJ 35 BLA, WH		1
17	5108615	UPH SEAT ADJ 26 BLUE, WH		1
18	5108616	UPH SEAT ADJ 29 BLUE, WH		1
19	5108617	UPH SEAT ADJ 32 BLUE, WH		1
20	5108618	UPH SEAT ADJ 35 BLUE, WH		1
21	5108658	UPH SEAT ADJ 26 TEDDY, WH		1
22	5108659	UPH SEAT ADJ 29 TEDDY, WH		1
23	5108660	UPH SEAT ADJ 32 TEDDY, WH		1
24	5108661	UPH SEAT ADJ 35 TEDDY, WH		1

# Comfort seat plate




SPS5108080

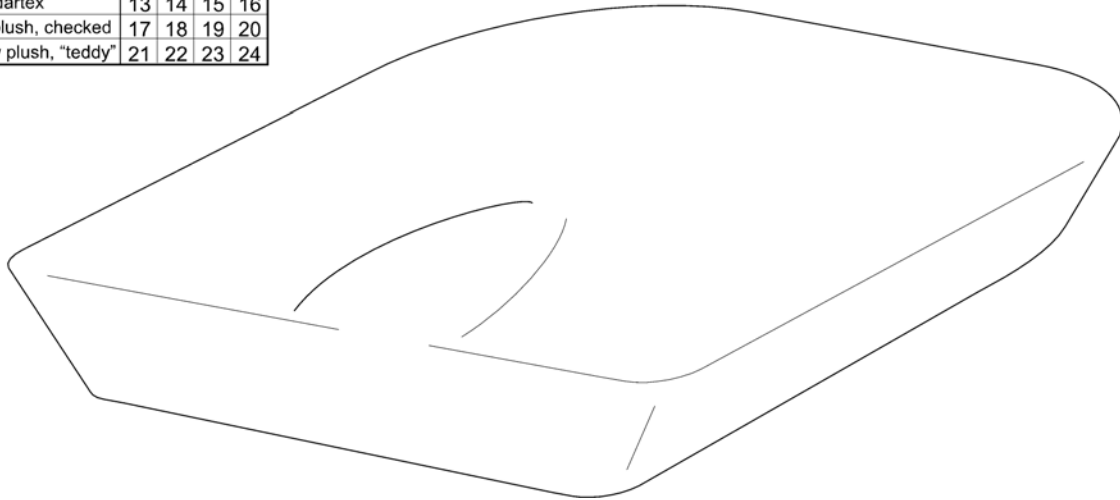
 SW (cm)	26	1
	29	2
	32	3
	35	4



Pos.	Part number	Description	Valid from → until	Qty
1	5108077	SEAT PLATE ADJ 26 CPL,WH		1
2	5108078	SEAT PLATE ADJ 29 CPL,WH		1
3	5108079	SEAT PLATE ADJ 32 CPL,WH		1
4	5108080	SEAT PLATE ADJ 35 CPL,WH		1
5	5108251	FRONT SEAT PLATE 26		1
5	5108252	FRONT SEAT PLATE 29		1
5	5108253	FRONT SEAT PLATE 32		1
5	5108254	FRONT SEAT PLATE 35		1
6	5108255	BACK SEAT PLATE 26		1
6	5108256	BACK SEAT PLATE 29		1
6	5108257	BACK SEAT PLATE 32		1
6	5108258	BACK SEAT PLATE 35		1
7	5254141	VELCRO HOOK L=260,ASSIST		1
8	1513149	FITTING KIT, SEAT PLATES, WHEELER		1

SPS5108081

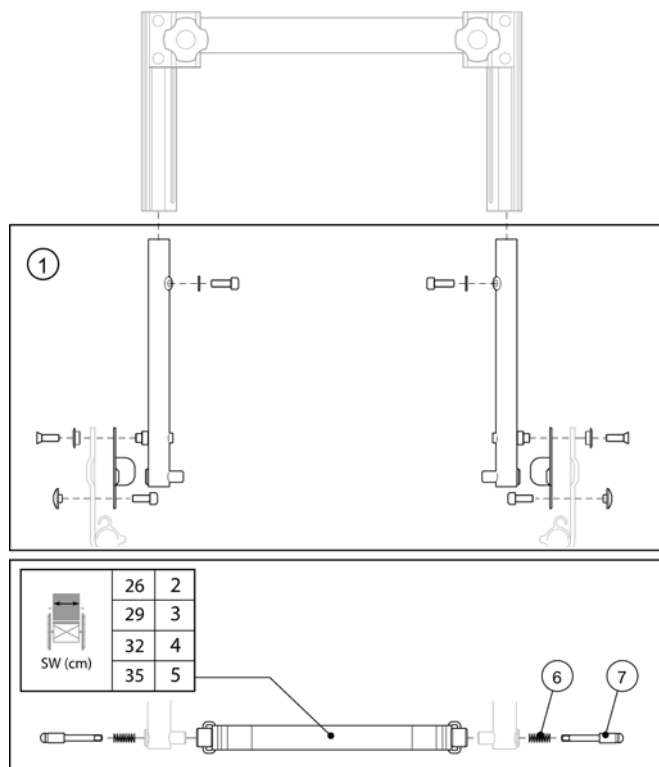
				
	SW (cm)			
	26	29	32	35
Grey dartex	1	2	3	4
Blue plush, checked	5	6	7	8
Yellow plush, "teddy"	9	10	11	12
				
Grey dartex	13	14	15	16
Blue plush, checked	17	18	19	20
Yellow plush, "teddy"	21	22	23	24



Pos.	Part number	Description	Valid from → until	Qty
1	5108081	SEAT CUSH COMF 26 BLA,WH		1
2	5108082	SEAT CUSH COMF 29 BLA,WH		1
3	5108083	SEAT CUSH COMF 32 BLA,WH		1
4	5108084	SEAT CUSH COMF 35 BLA,WH		1
5	5108089	SEAT CUSH COMF 26 BLU,WH		1
6	5108090	SEAT CUSH COMF 29 BLU,WH		1
7	5108091	SEAT CUSH COMF 32 BLU,WH		1
8	5108092	SEAT CUSH COMF 35 BLU,WH		1
9	5108635	SEAT CUSH COMF 26 TEDDY		1
10	5108636	SEAT CUSH COMF 29 TEDDY		1
11	5108637	SEAT CUSH COMF 32 TEDDY		1
12	5108638	SEAT CUSH COMF 35 TEDDY		1
13	5108623	UPH.COMF.SEAT 26 BLA.WHE		1
14	5108624	UPH.COMF.SEAT 29 BLA.WHE		1
15	5108625	UPH.COMF.SEAT 32 BLA.WHE		1
16	5108626	UPH.COMF.SEAT 35 BLA.WHE		1
17	5108627	UPH.COMF.SEAT 26 BLUE,WH		1
18	5108628	UPH.COMF.SEAT 29 BLUE,WH		1
19	5108629	UPH.COMF.SEAT 32 BLUE,WH		1
20	5108630	UPH.COMF.SEAT 35 BLUE,WH		1
21	5108662	UPH COMF.SEAT 26 TEDDY		1
22	5108663	UPH COMF.SEAT 29 TEDDY		1
23	5108664	UPH COMF.SEAT 32 TEDDY		1
24	5108665	UPH COMF.SEAT 35 TEDDY		1

# Backrest tubes

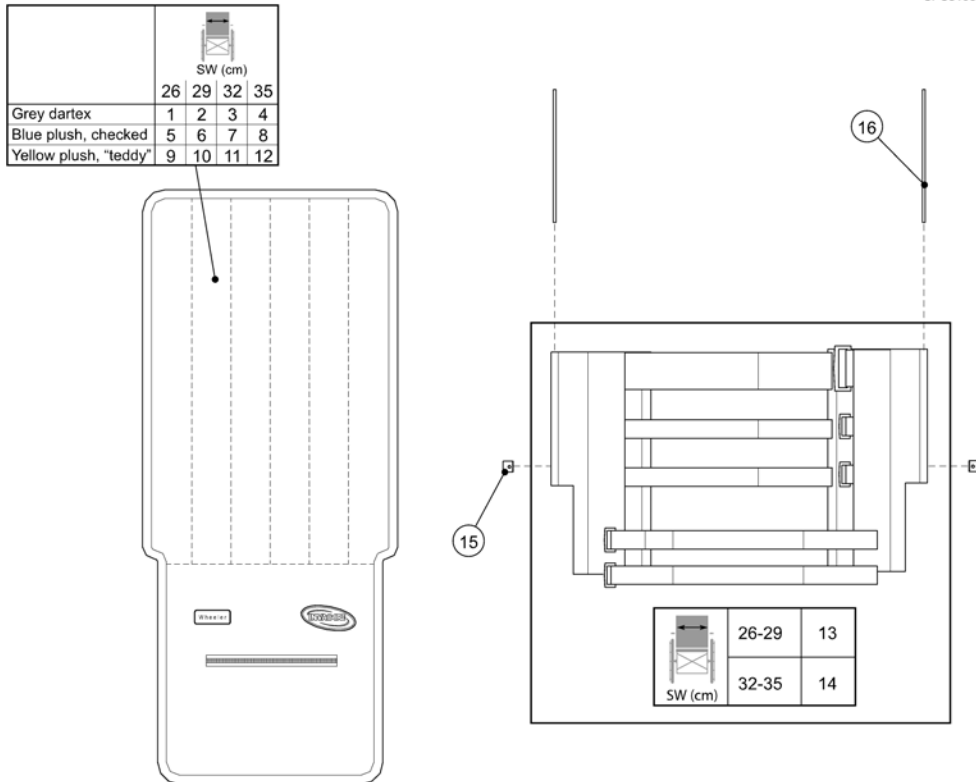
SPS510843



Pos.	Part number	Description	Valid from → until	Qty
1	1513150	KIT, BACKREST TUBES CPL., PAIR, WHEELER		1
2	5108695	BACKREL.STRAP 26 CPL, WH		1
3	5108696	BACKREL.STRAP 29 CPL, WH		1
4	5108697	BACKREL.STRAP 32 CPL, WH		1
5	5108698	BACKREL.STRAP 35 CPL, WH		1
6	5721062	PRESSURE SPRING L=17 MM		1
7	1431370	LOCK TAPP BACK REST ATTACHMENT		1

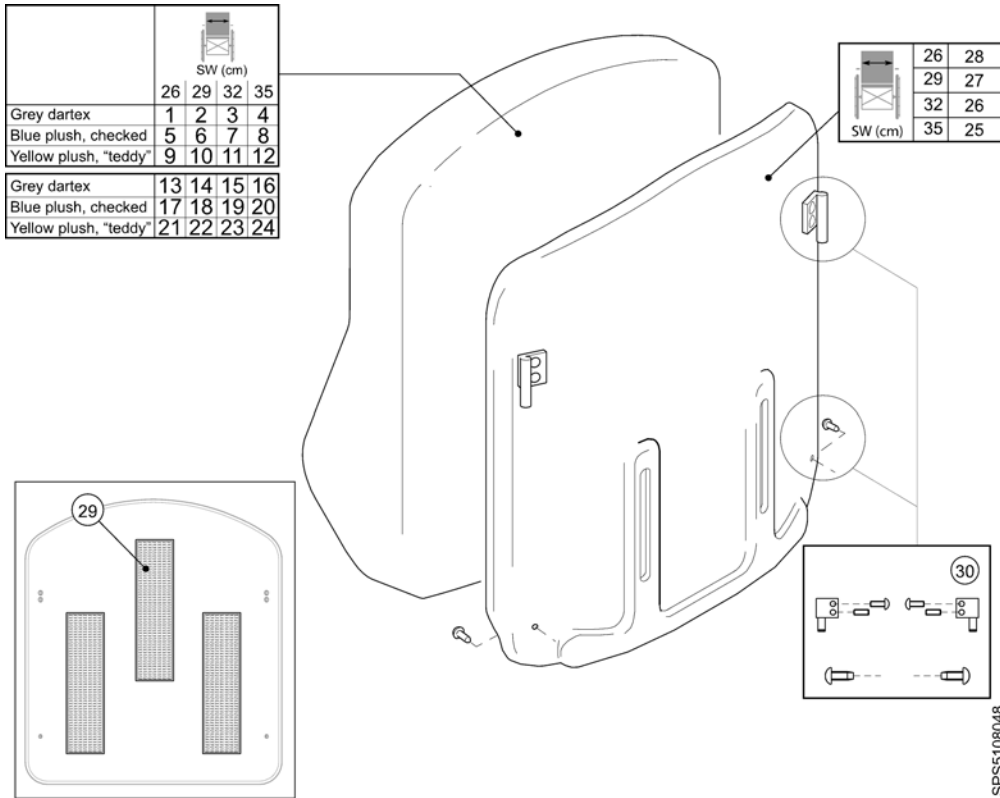
# Backrest upholstery

SPS5108056



Pos.	Part number	Description	Valid from → until	Qty
1	5108381	UPPH ADJ BACKR 26 BLA,WH		1
2	5108380	UPPH ADJ BACKR 29 BLA,WH		1
3	5108379	UPPH ADJ BACKR 32 BLA,WH		1
4	5108378	UPPH ADJ BACKR 35 BLA,WH		1
5	5108470	UPPH ADJ BACKR 26 BLU,WH		1
6	5108469	UPPH ADJ BACKR 29 BLU,WH		1
7	5108468	UPPH ADJ BACKR 32 BLU,WH		1
8	5108467	UPPH ADJ BACKR 35 BLU,WH		1
9	5108650	UPPH ADJ BACKR 26 TEDDY		1
10	5108649	UPPH ADJ BACKR 29 TEDDY		1
11	5108648	UPPH ADJ BACKR 32 TEDDY		1
12	5108647	UPPH ADJ BACKR 35 TEDDY		1
13	5108465	BACKREST ADJ. 26/29,WHE		1
14	5108382	BACKREST ADJ. 35/32,WHE		1
15	5255387	LOCK ADJUSTABLE BACK,BEL		1
16	5108464	UPH WIRE ADJ BACKR,WHE		1

# Backrest "Comfort"



Pos.	Part number	Description	Valid from → until	Qty
1	5108049	BACKR CUSH COMF 26 BLACK		1
2	5108050	BACKR CUSH COMF 29 BLACK		1
3	5108051	BACKR CUSH COMF 32 BLACK		1
4	5108052	BACKR CUSH COMF 35 BLACK		1
5	5108389	BACKR CUSH COMF 26 BLUE		1
6	5108390	BACKR CUSH COMF 29 BLUE		1
7	5108391	BACKR CUSH COMF 32 BLUE		1
8	5108392	BACKR CUSH COMF 35 BLUE		1
9	5108643	BACKR CUSH COMF 26 TEDDY		1
10	5108644	BACKR CUSH COMF 29 TEDDY		1
11	5108645	BACKR CUSH COMF 32 TEDDY		1
12	5108646	BACKR CUSH COMF 35 TEDDY		1
13	5108385	UPH. COMF.BACK 26 BLACK		1
14	5108386	UPH. COMF.BACK 29 BL,WHE		1
15	5108387	UPH. COMF.BACK 32 BL,WHE		1
16	5108388	UPH. COMF.BACK 35 BL,WHE		1
17	5108619	UPH. COMF.BACK 26 BLUE		1
18	5108620	UPH. COMF.BACK 29 BLUE		1
19	5108621	UPH. COMF.BACK 32 BLUE		1
20	5108622	UPH. COMF.BACK 35 BLUE		1
21	5108666	UPH BACK 26 COM TEDDY		1
22	5108667	UPH BACK 29 COM TEDDY		1
23	5108668	UPH BACK 32 COM TEDDY		1
24	5108669	UPH BACK 35 COM TEDDY		1
25	5108045	BACKR SHELL 35 CPL,WHEEL		1
26	5108046	BACKR SHELL 32 CPL,WHEEL		1
27	5108047	BACKR SHELL 29 CPL,WHEEL		1
28	5108048	BACKR SHELL 26 CPL,WHEEL		1
29	1513542	VELCRO TAPE KPL, BACKREST, WHEELER		1
30	1513552	SCREW KIT, BACKREST, WHEELER		1



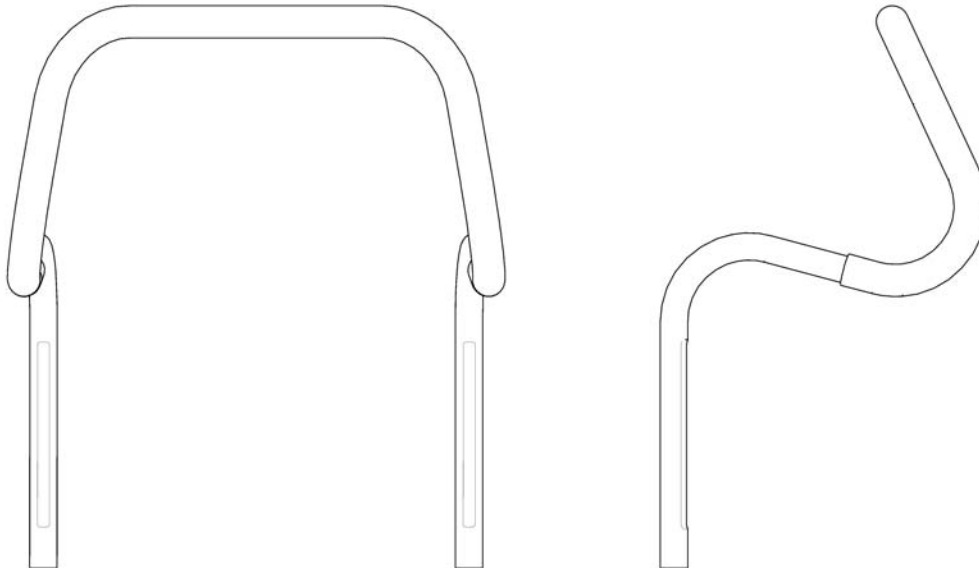


Pos.	Part number	Description	Valid from → until	Qty
	5206064-C01	PUSHHANDLE ADJ CPL		1
1	1440082	HANDLE D19, INVACARE		1

# Push bar

SPS5108076

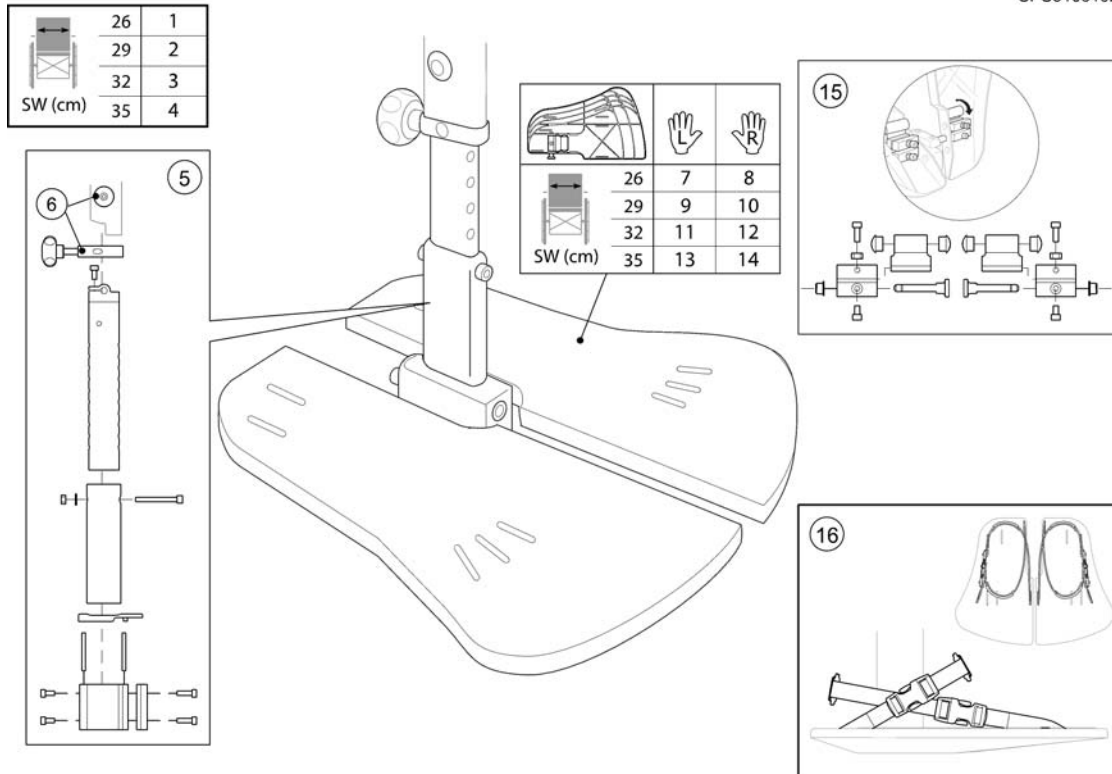
①



Pos.	Part number	Description	Valid from → until	Qty
1	5108073	PUSH BAR 26 CPL,WHEELER		1
1	5108074	PUSH BAR 29 CPL,WHEELER		1
1	5108075	PUSH BAR 32 CPL,WHEELER		1
1	5108076	PUSH BAR 35 CPL,WHEELER		1

# Legrest

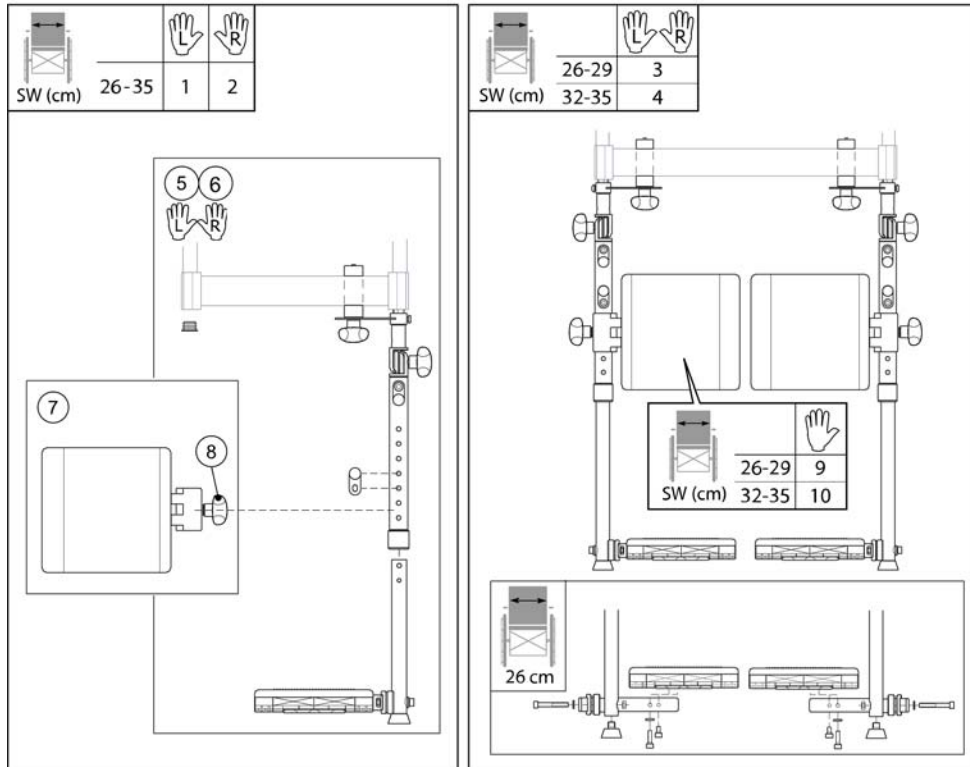
SPS5108102



Pos.	Part number	Description	Valid from → until	Qty
1	5108097	LEGREST 26 ADJ CPL,WHE		1
2	5108099	LEGREST 29 ADJ CPL,WHE		1
3	5108100	LEGREST 32 ADJ CPL,WHE		1
4	5108103	LEGREST 35 ADJ CPL,WHE		1
5	5108472	FOOTREST TUBE CPL,WHEEL		1
6	1513727	KIT, ATTACHMENT CPL, LEGREST, WHEELER		1
7	5108527	FOOTPLATE 26 LE CPL,WHE		1
8	5108517	FOOTPLATE 26 RI CPL,WHE		1
9	5108526	FOOTPLATE 29 LE CPL,WHE		1
10	5108516	FOOTPLATE 29 RI CPL,WHE		1
11	5108520	FOOTPLATE 32 LE CPL,WHE		1
12	5108510	FOOTPLATE 32 RI CPL,WHE		1
13	5108519	FOOTPLATE 35 LE CPL,WHE		1
14	5108509	FOOTPLATE 35 RI CPL,WHE		1
15	1513730	KIT, ATTACHMENT CPL, FOOTPLATE, WHEELER		1
16	5108136	FOOT STRAP CPL WHEELER		1

# Plaster legrest

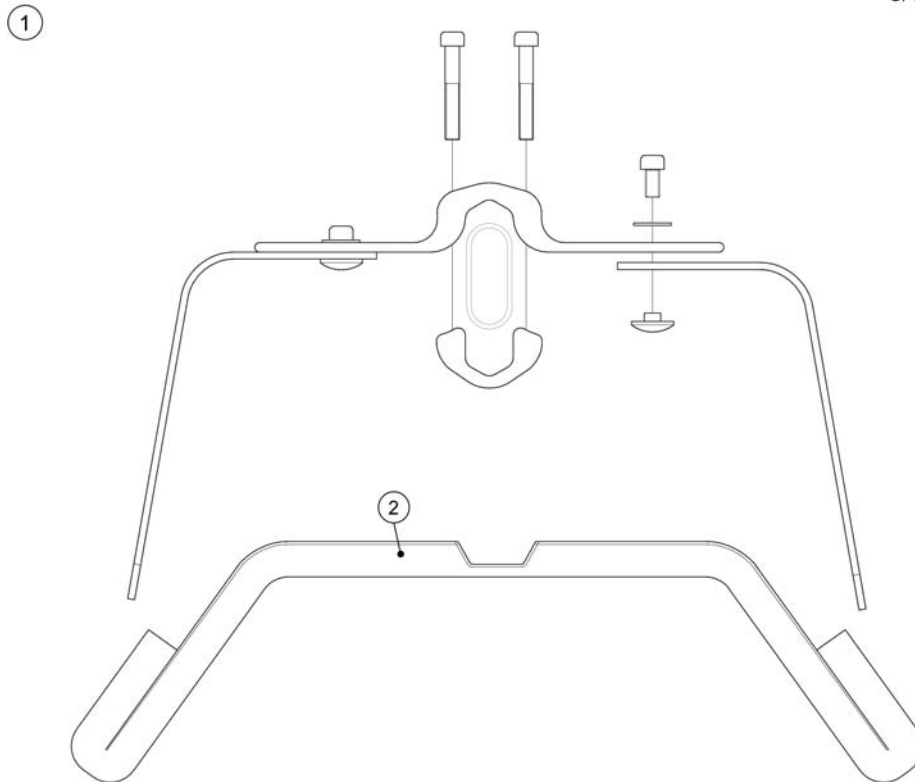
SPS5108778



Pos.	Part number	Description	Valid from → until	Qty
1	5108140-0508	PLASTER LEGR LE CPL,WHE		1
2	5108139-0508	PLASTER LEGR RI CPL,WHE		1
3	5108784-0508	PLASTER LEGR 26-29 PA,WH		1
4	5108785-0508	PLASTER LEGR 32-35 PA,WH		1
5	5108779-0508	PLASTER LEGR BODY LE,WH		1
6	5108778-0508	PLASTER LEGR BODY RI,WH		1
7	5108780	PAD PLASTER LEGREST,WHE		1
8	5724153	HANDLE WN 730E 40-M8		1
9	5108781	PAD PLAST LEGR 26-29,WHE		1
10	5108782	PAD PLAST LEGR 32-35,WHE		1
11	5321755	HANDWHEEL M6x15		1
12	5108796	HANDWHEEL M6x30 WN 730E		1

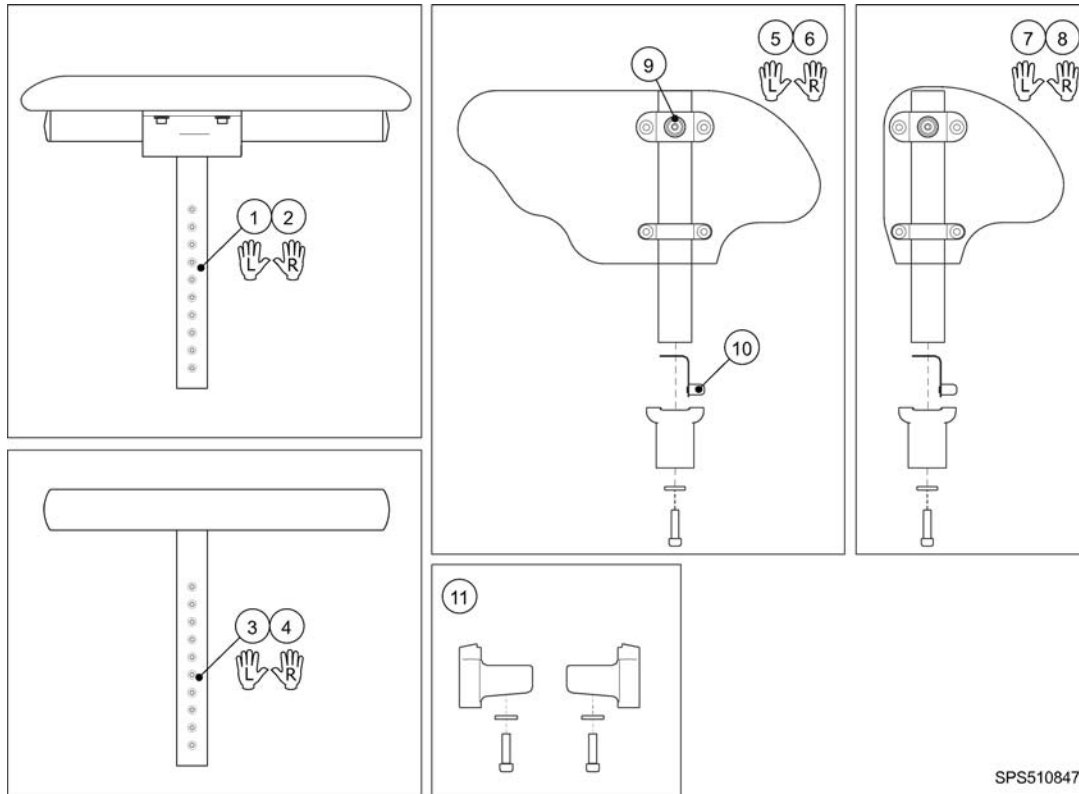
# Lower leg support, adj.

SPS5108110



Pos.	Part number	Description	Valid from → until	Qty
1	5108110	UNDERLEG SUPP ADJ CPL,WH		1
2	5108319	UPHOLST UNDERLEGSUPP,WHE		1




## Armrests

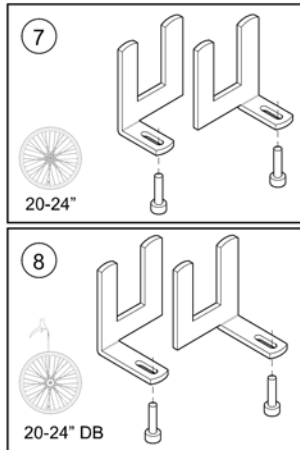
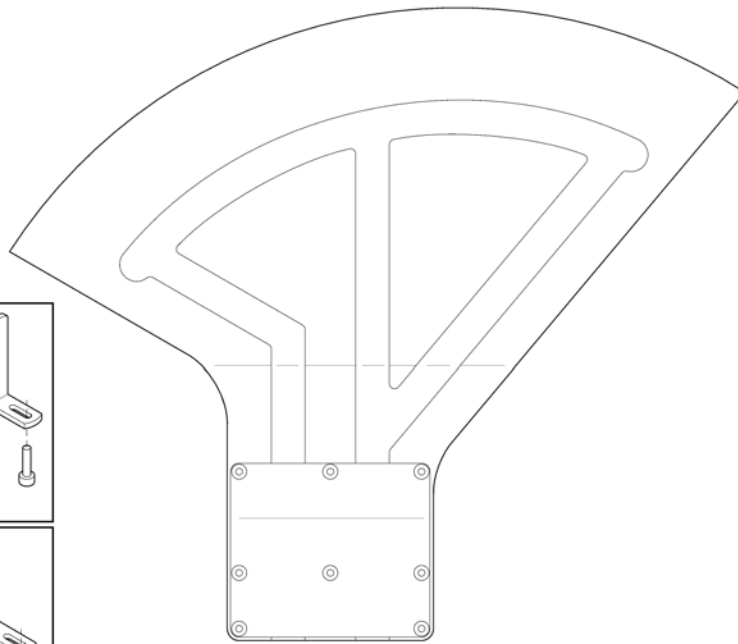


SPS5108471

Pos.	Part number	Description	Valid from → until	Qty
1	5108554	ARMR.PAD WIDE LE CPL,WHE		1
2	5108553	ARMR.PAD WIDE RI CPL,WHE		1
3	5108462	ARMREST SMALL W FOAM LE		1
4	5108461	ARMREST SMALL W FOAM RI		1
5	1422750	SIDEPROTECTION, LONG, LE, CPL, WHEELER		1
6	1422749	SIDEPROTECTION, LONG, RI, CPL, WHEELER		1
7	5108477	SIDE PROTECT LE CPL WHE		1
8	5108471	SIDE PROTECT RI CPL WHE		1
9	5108368	LOCK-SCREW		1
10	5108499	SPRING LOCK ARMREST ATT. WH		1
11	1514455	ATTACHMENT,PAIR, ARMREST, WHEELER		1

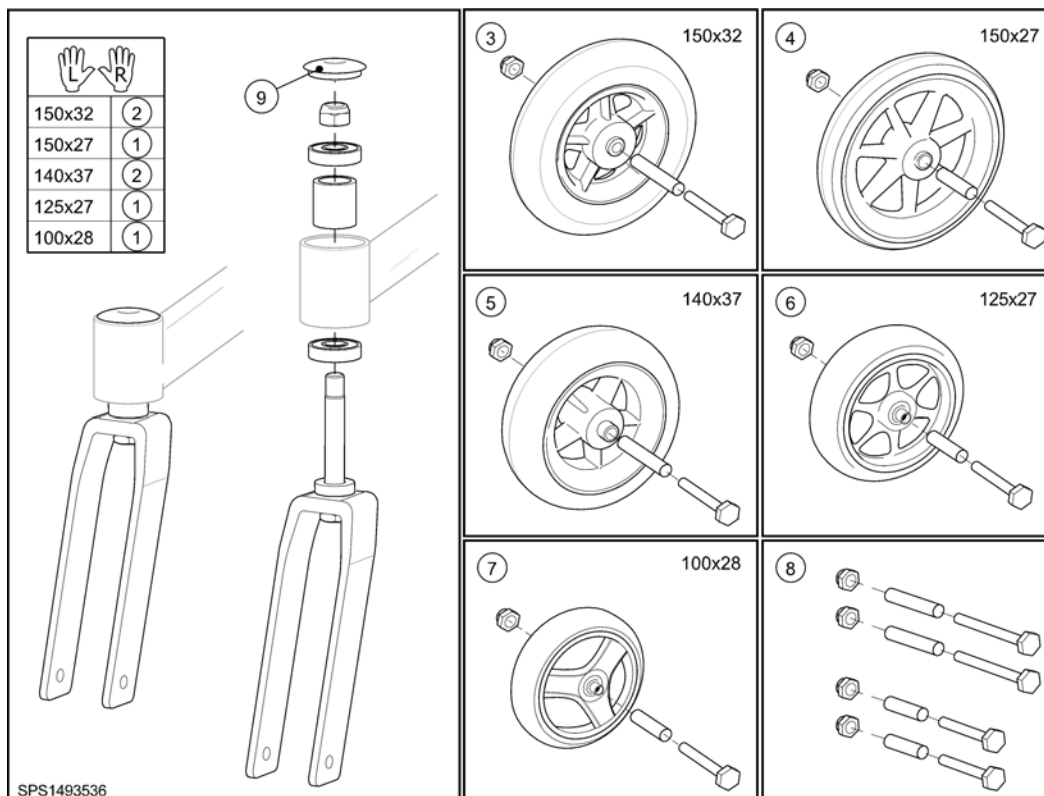
SPS5108112

	20"	22"	24"
	1	3	5
	2	4	6



Pos.	Part number	Description	Valid from → until	Qty
1	5108723	MUDGUARD 20" LE,WHE		1
2	5108722	MUDGUARD 20" RI,WHE		1
3	5108725	MUDGUARD 22" LE,WHE		1
4	5108724	MUDGUARD 22" RI,WHE		1
5	5108727	MUDGUARD 24" LE,WHE		1
6	5108726	MUDGUARD 24" RI,WHE		1
7	1514452	ATTACHMENT KIT, MUDGUARD, WHEELER		1
8	1514454	ATTACHMENT KIT, MUDGUARD, DB WHEELS, WHEELER		1

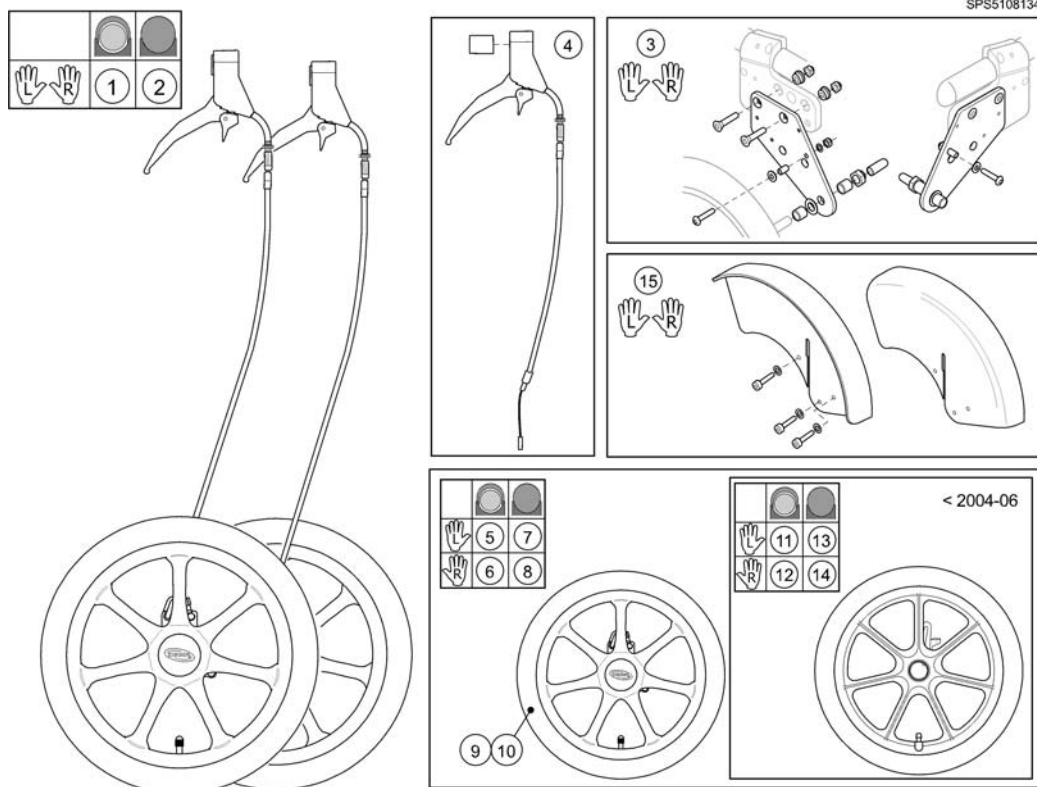
## Castor wheels



Pos.	Part number	Description	Valid from → until	Qty
1	1493536	FORK N CPL, WHEELER, PAIR		1
2	1493537	FORK W CPL, WHEELER, PAIR		1
3	5108547	WHEEL 150X32 P+AXLE 6MM		1
4	5108546	WHEEL 150X27 MH+AXLE 6mm		1
5	5108548	WHEEL 140X37 S+AXLE 6MM		1
6	1491228	CASTOR 125X27 (5") MH	20081009 →	1
7	5108545	WHEEL 100X27 MH+AXLE 6MM		1
8	1514373	SCREW KIT, CASTOR WHEELS, WHEELER		1
9	5716509	PLASTIC CUP IKPK 3229 S		1



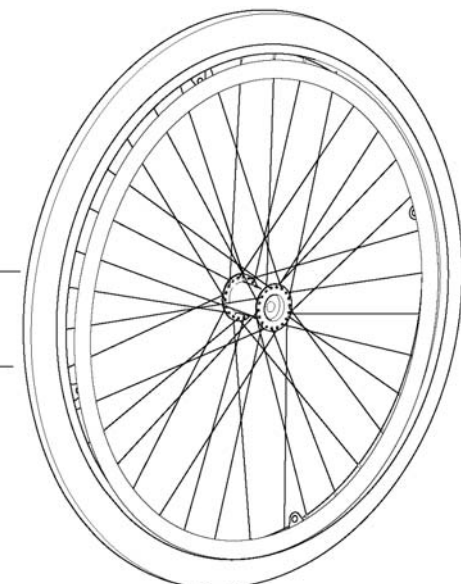
# Kit, wheel 16"



Pos.	Part number	Description	Valid from → until	Qty
1	5108135	MOUNT.KIT 16"WHEEL PN,PA		1
2	5108134	MOUNT.KIT 16"WHEEL SS,PA		1
3	1514383	ATTACHMENT PAIR, 16" WHEELS, WHEELER		1
4	1514382	CABLE ASSY (INCL. HANDLE), 16" WHEEL, WHEELER		1
5	1434825	WHEEL 16" PNEU., DRUMBRAKE, LEFT. MBL		1
6	1434826	WHEEL 16" PNEU., DRUMBRAKE, RIGHT. MBL		1
7	1434827	WHEEL 16" SOLID, DRUMBRAKE, LEFT. MBL		1
8	1434828	WHEEL 16" SOLID, DRUMBRAKE, RIGHT. MBL		1
9	1440029	TYRE 16"X1, 75 PNEU MBL		1
10	5750778	TUBE 16" X 1.75		1
11	5750722	WHEEL 16"PNE W BRAKE LE		1
12	5750723	WHEEL 16"PNE W BRAKE RI		1
13	5750724	WHEEL 16"SS W BRAKE LE		1
14	5750725	WHEEL 16"SS W BRAKE RI		1
15	5108153	MUD GUARD 16" PA CPL,WHE		1

# Wheel 24-22-20" (=> 2010.04)

	1" 3/8	1" 3/8	1" 3/8	1" 3/8	1" 3/8	1"	1"
<b>24"</b>	43	44	45	43+46	47	48	78
55 ○	1	6	11	16	21	26	79
56 ○	2	7	12	17	22	27	80
57 ○	3	8	13	18	23	28	81
58 ○	4	9	14	19	24	29	82
59 ●	5	10	15	20	25	30	83
<b>22"</b>	49	50	51	49+52			
85 ○	31	33	35	37			
86 ○	32	34	36	38			
<b>20"</b>	53	54					
87 ○	39	41					
88 ○	40	42					
	<b>24"</b>	60	61	62	63	64	65
	<b>22"</b>	66	67	68	69		
	<b>20"</b>	70	71				



SPS5750833

24"	22"	20"		24"	22"	20"	
72	73	74		75	76	77	

Pos.	Part number	Description	Valid from → until	Qty
1	5750842	Wheel 24" Pneu. Profiled + Handrim, Alu		1
2	5750848	Wheel 24" Pneu. Profiled + Handrim, Stainless		1
3	5750843	Wheel 24" Pneu. Profiled + Handrim, Plastic Coated		1
4	5750845	Wheel 24" Pneu. Profiled + Handrim, Foam Coated		1
5	5750846	Wheel 24" Pneu. Profiled + Handrim, Blackgrip		1
6	5750833	Wheel 24" Pneu. Non-Marking + Handrim, Alu		1
7	5750839	Wheel 24" Pneu. Non-Marking + Handrim, Stainless		1
8	5750834	Wheel 24" Pneu. Non-Marking + Handrim, Plastic Coated		1
9	5750836	Wheel 24" Pneu. Non-Marking + Handrim, Foam Coated		1
10	5750837	Wheel 24" Pneu. Non-Marking + Handrim, Blackgrip		1
11	5750851	Wheel 24" Solid + Handrim, Alu		1
12	5750857	Wheel 24" Solid + Handrim, Stainless		1
13	5750852	Wheel 24" Solid + Handrim, Plastic Coated		1
14	5750854	Wheel 24" Solid + Handrim, Foam Coated		1
15	5750855	Wheel 24" Solid + Handrim, Blackgrip		1
16	5750870	Wheel 24" Punctureproof + Handrim, Alu		1
17	5750876	Wheel 24" Punctureproof + Handrim, Stainless		1
18	5750871	Wheel 24" Punctureproof + Handrim, Plastic Coated		1
19	5750873	Wheel 24" Punctureproof + Handrim, Foam Coated		1
20	5750874	Wheel 24" Punctureproof + Handrim, Blackgrip		1
21	5750879	Wheel 24" Tube + Handrim, Aluminium		1
22	5750885	Wheel 24" Tube + Handrim, Stainless		1
23	5750880	Wheel 24" Tube + Handrim, Plastic Coated		1
24	5750882	Wheel 24" Tube + Handrim, Foam Coated		1
25	5750883	Wheel 24" Tube + Handrim, Blackgrip		1
26	5750861	Wheel 24" Low Profile + Handrim, Alu.		1
27	5750867	Wheel 24" Low Profile + Handrim, Stainless Steel		1
28	5750862	Wheel 24" Low Profile + Handrim, Plastic Coated		1
29	5750864	Wheel 24" Low Profile + Handrim, Foam Coated		1
30	5750865	Wheel 24" Low Profile + Handrim, Black Grip		1
31	5750821	Wheel 22" Pneu. Profiled + Handrim, Alu		1

**Wheel 24-22-20" (=> 2010.04)**

Pos.	Part number	Description	Valid from → until	Qty
32	5750822	Wheel 22" Pneu. Profiled + Handrim, Plastic Coated		1
33	5750817	Wheel 22" Pneu. Non-Marking + Handrim, Alu		1
34	5750818	Wheel 22" Pneu. Non-Marking + Handrim, Plastic Coated		1
35	5750825	Wheel 22" Solid + Handrim, Alu		1
36	5750826	Wheel 22" Solid + Handrim, Plastic Coated		1
37	5750829	Wheel 22" Punctureproof + Handrim, Alu		1
38	5750830	Wheel 22" Punctureproof + Handrim, Plastic Coated		1
39	5750815	Wheel 20" Pneu. Profiled + Handrim, Alu		1
40	5750816	Wheel 20" Pneu. Profiled + Handrim, Plastic Coated		1
41	5750813	Wheel 20" Pneu. Non-Marking + Handrim, Alu		1
42	5750814	Wheel 20" Pneu. Non-Marking + Handrim, Plastic Coated		1
43	5750019	Tyre 24"X1 3/8", Profiled		1
44	5750014	Tyre 24"X1 3/8", Non-Marking		1
45	5750015	Tyre 24"X1 3/8", Solid		1
46	5207046	Tube 24"X1 3/8", Flex		1
47	5750043	Tyre 24"X1 3/8", Tube		1
48	5750160	Tyre 24"X1" (25-540), Non-Marking		1
49	5750018	Tyre 22"X1 3/8", Profiled		1
50	5750707	Tyre 22" Non-Marking		1
51	5750172	Tyre 22" Solid		1
52	5750732	Tube 22"X1 3/8", Flex		1
53	5750017	Tyre 20"X1 3/8", Profiled		1
54	5750012	Tyre 20"X1 3/8", Non-Marking		1
55	1510377	Handrim Aluminium Cpl, 24" Wheel		1
56	1510378	Handrim Stainless Cpl, 24" Wheel		1
57	1510494	Handrim Plastic Cpl, 24" Wheel		1
58	1510379	Handrim Foam Coated Cpl, 24" Wheel		1
59	1510492	Handrim Black Grip Cpl, 24" Wheel		1
60	5750906	Wheel 24" Pneu. Profiled, 4 Clips		1
60	5750905	Wheel 24" Pneu. Profiled, 0 Clips		1
61	5320568	Wheel 24" Pneu. Non-Marking, 4 Clips		1
61	5750904	Wheel 24" Pneu. Non-Marking, 0 Clips		1
62	5750907	Wheel 24" Solid, 4 Clips		1
62	5750189	Wheel 24" Db, Solid, 0 Clips		1
63	5207613	Wheel 24" Punctureproof, Profiled, 4 Clips		1
63	5750902	Wheel 24" Punctureproof, 0 Clips		1
64	1434796	Wheel 24" Tube, 0 Clips		1
65	5750899	Wheel 24" Low Profile, Non-Marking, 4 Clips		1
65	5750900	Wheel 24" Low Profile, 0 Clips		1
66	5321985	Wheel 22" Pneu. Profiled, 4Clips		1
67	5750709	Wheel 22" Pneu. Non-Marking, 4 Clips		1
67	5750708	Wheel 22" Pneu. Non-Marking, 0 Clips		1
68	1451559	Wheel 22" Solid, 4 Clips		1
68	1420203	Wheel 22" Solid, 0 Clips		1
69	5207611	Wheel 22" Punctureproof, 4 Clips		1
69	1420204	Wheel 22" Punctureproof, 0 Clips		1
70	1420047	Wheel 20" Pneu. Profiled, 0 Clips		1
71	5321984	Wheel 20" Pneu. Non-Marking, 4 Clips		1
71	5320634	Wheel 20" Pneu. Non-Marking, 0 Clips		1
72	5102807	Spoke Protection 24" Frosted Cpl		1
73	5102800	Spoke Protection 22" Frosted Cpl		1
74	5102795	Spoke Protection 20" Frosted Cpl		1
75	5750036	Tube 24"X1 3/8"		1
75	5750161	Tube 24"X1" (25-540)		1
76	5750035	Tube 22"X1 3/8"		1

**Wheel 24-22-20" (=> 2010.04)**

Pos.	Part number	Description	Valid from → until	Qty
77	5750034	Tube 20"X1 3/8"		1
78	1512742	Tyre 24"X1" (25-540), Black Marathon		1
79	1512709	Wheel 24" Black Marathon + Handrim, Alu.		1
80	1512710	Wheel 24" Black Marathon + Handrim, Stainless Steel		1
81	1512711	Wheel 24" Black Marathon + Handrim, Plastic Coated		1
82	1512712	Wheel 24" Black Marathon + Handrim, Foam Coated		1
83	1512713	Wheel 24" Black Marathon + Handrim, Black Grip		1
84	1512714	Wheel 24" Black Marathon, 0 Clips		1
85	1510495	Handrim Aluminium Cpl, 22" Wheel		1
86	1518609	Handrim Plastic Cpl, 22" Wheel		1
87	1510543	Handrim Aluminium Cpl, 20" Wheel		1
88	1533006	Handrim Plastic Cpl, 20" Wheel		1

# Wheel 24-22-20" DB (=> 2010.04)

	1" 3/8	1" 3/8	1" 3/8	1" 3/8	
<b>24"</b>	<b>33</b>	<b>34</b>	<b>35</b>	<b>33+36</b>	
43 ○	1	6	11	16	
44 ○	2	7	12	17	
45 ○	3	8	13	18	
46 ○	4	9	14	19	
47 ●	5	10	15	20	
<b>22"</b>	<b>37</b>	<b>38</b>	<b>39</b>	<b>37+40</b>	
64 ○	21	23	25	27	
65 ○	22	24	26	28	
<b>20"</b>	<b>41</b>	<b>42</b>			
66 ○	29	31			
67 ○	30	32			
	<b>24"</b>	<b>48</b>	<b>49</b>	<b>50</b>	<b>51</b>
	<b>22"</b>	<b>52</b>	<b>53</b>	<b>54</b>	<b>55</b>
	<b>20"</b>	<b>56</b>	<b>57</b>		

SPS1434807					
24"	22"	20"	24"	22"	20"
58	59	60	61	62	63

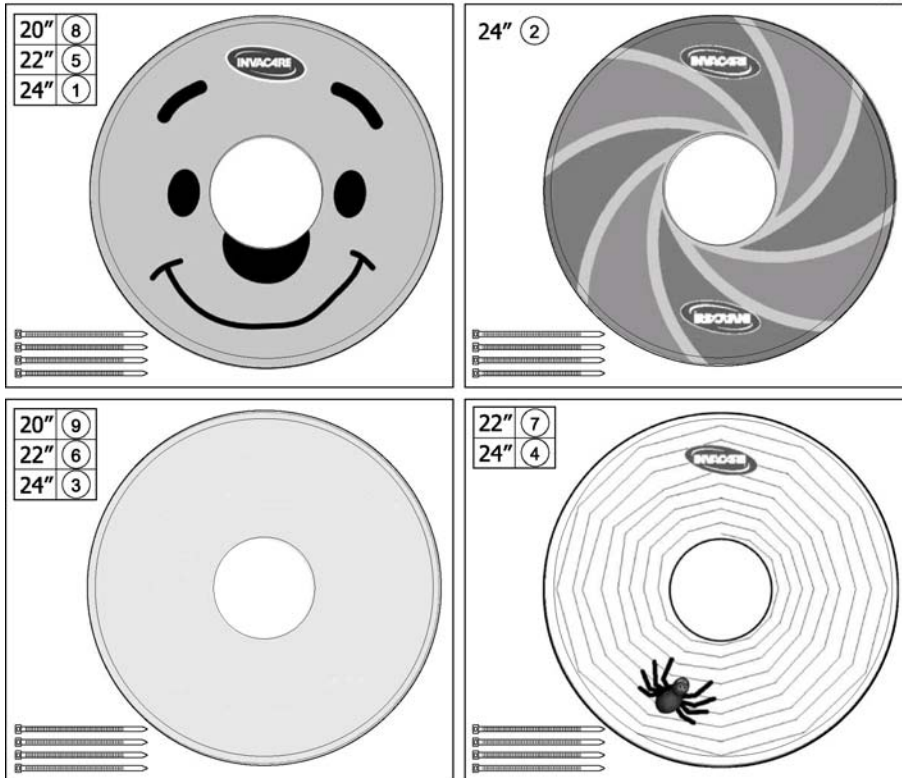
Pos.	Part number	Description	Valid from → until	Qty
1	5207401	Wheel 24" Db, Pneu. Profiled + Handrim Alu		1
2	5207404	Wheel 24" Db, Pneu. Profiled + Handrim Stainless		1
3	5207407	Wheel 24" Db, Pneu. Profiled + Handrim Plastic Coated		1
4	5207410	Wheel 24" Db, Pneu. Profiled + Handrim Foam Coated		1
5	1434808	Wheel 24" Db, Pneu. Profiled + Handrim Blackgrip		1
6	5207400	Wheel 24" Db, Pneu. Non-Marking + Handrim Alu		1
7	5207403	Wheel 24" Db, Pneu. Non-Marking + Handrim Stainless		1
8	5207406	Wheel 24" Db, Pneu. Non-Marking + Handrim Plastic Coated		1
9	5207409	Wheel 24" Db, Pneu. Non-Marking + Handrim Foam Coated		1
10	1434807	Wheel 24" Db, Pneu. Non-Marking + Handrim Blackgrip		1
11	1434802	Wheel 24" Db, Solid + Handrim Alu		1
12	1434810	Wheel 24" Db, Solid + Handrim Stainless		1
13	1434803	Wheel 24" Db, Solid + Handrim Plastic Coated		1
14	1434805	Wheel 24" Db, Solid + Handrim Foam Coated		1
15	1434806	Wheel 24" Db, Solid + Handrim Blackgrip		1
16	5207402	Wheel 24" Db, Punctureproof + Handrim Alu		1
17	5207405	Wheel 24" Db, Punctureproof + Handrim Stainless		1
18	5207408	Wheel 24" Db, Punctureproof + Handrim Plastic Coated		1
19	5207411	Wheel 24" Db, Punctureproof + Handrim Foam Coated		1
20	1434809	Wheel 24" Db, Punctureproof + Handrim Blackgrip		1
21	5207434	Wheel 22" Db, Pneu. Profiled + Handrim Alu		1
22	1422574	Wheel 22" Db, Pneu. Profiled + Handrim Plastic Coated		1
23	5750718	Wheel 22" Db, Pneu. Non-Marking + Handrim Alu		1
24	1422571	Wheel 22" Db, Pneu. Non-Marking + Handrim Plastic Coated		1
25	1434797	Wheel 22" Db, Solid + Handrim Alu		1
26	1434798	Wheel 22" Db, Solid + Handrim Plastic Coated		1
27	5207435	Wheel 22" Db, Punctureproof + Handrim Alu		1
28	1422577	Wheel 22" Db, Punctureproof + Handrim Plastic Coated		1
29	1488848	Wheel 20" Db, Pneu. Profiled + Handrim Alu		1
30	1488849	Wheel 20" Db, Pneu. Profiled + Handrim Plastic Coated		1
31	1488846	Wheel 20" Db, Pneu. Non-Marking + Handrim Alu		1

**Wheel 24-22-20" DB (=> 2010.04)**

Pos.	Part number	Description	Valid from → until	Qty
32	1488847	Wheel 20" Db, Pneu. Non-Marking + Handrim Plastic Coated		1
33	5750019	Tyre 24"X1 3/8", Profiled		1
34	5750014	Tyre 24"X1 3/8", Non-Marking		1
35	5750015	Tyre 24"X1 3/8", Solid		1
36	5207046	Tube 24"X1 3/8", Flex		1
37	5750018	Tyre 22"X1 3/8", Profiled		1
38	5750707	Tyre 22" Non-Marking		1
39	5750172	Tyre 22" Solid		1
40	5750732	Tube 22"X1 3/8", Flex		1
41	5750017	Tyre 20"X1 3/8", Profiled		1
42	5750012	Tyre 20"X1 3/8", Non-Marking		1
43	1510377	Handrim Aluminium Cpl, 24" Wheel		1
44	1510378	Handrim Stainless Cpl, 24" Wheel		1
45	1510494	Handrim Plastic Cpl, 24" Wheel		1
46	1510379	Handrim Foam Coated Cpl, 24" Wheel		1
47	1510492	Handrim Black Grip Cpl, 24" Wheel		1
48	5750178	Wheel 24" Db, Pneu. Profiled, 4 Clips		1
48	5750177	Wheel 24" Db, Pneu. Profiled, 0 Clips		1
49	5750175	Wheel 24" Db, Pneu. Non-Marking, 0 Clips		1
49	5750176	Wheel 24" Db, Pneu. Non-Marking, 4 Clips		1
50	5750190	Wheel 24" Db, Solid, 4 Clips		1
50	5750189	Wheel 24" Db, Solid, 0 Clips		1
51	5750180	Wheel 24" Db, Punctureproof, Profiled, 4 Clips		1
51	5750179	Wheel 24" Db, Punctureproof, 0 Clips		1
52	1415558	Wheel 22" Db, Pneu., Profiled, 4 Clips		1
52	5207436	Wheel 22" Db, Pneu., Profiled, 0Clips		1
53	5750719	Wheel 22" Db, Pneu. Non-Marking, 4 Clips		1
53	5750720	Wheel 22" Db, Pneu. Non-Marking, 0 Clips		1
54	1451560	Wheel 22" Db, Solid, 4 Clips		1
54	1434801	Wheel 22" Db, Solid, 0 Clips		1
55	5207439	Wheel 22" Db, Punctureproof, 4 Clips		1
55	5207438	Wheel 22" Db, Punctureproof, 0 Clips		1
56	1488872	Wheel 20" Db, Pneu. Profiled, 4 Clips		1
57	1488871	Wheel 20" Db, Pneu. Non-Marking, 4 Clips		1
58	5102807	Spoke Protection 24" Frosted Cpl		1
59	5102800	Spoke Protection 22" Frosted Cpl		1
60	5102795	Spoke Protection 20" Frosted Cpl		1
61	5750161	Tube 24"X1" (25-540)		1
61	5750036	Tube 24"X1 3/8"		1
62	5750035	Tube 22"X1 3/8"		1
63	5750034	Tube 20"X1 3/8"		1
64	1510495	Handrim Aluminium Cpl, 22" Wheel		1
65	1518609	Handrim Plastic Cpl, 22" Wheel		1
66	1510543	Handrim Aluminium Cpl, 20" Wheel		1
67	1533006	Handrim Plastic Cpl, 20" Wheel		1

# Spokeguard

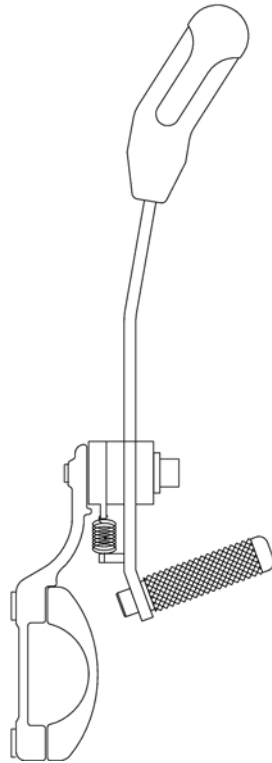
SPS5108529



Pos.	Part number	Description	Valid from → until	Qty
1	5108534	SPOKEGUARD 24 INCH SMILEY,CPL		1
2	5108535	SPOKEGUARD 24 INCH COLOUR,CPL		1
3	5102807	Spoke Protection 24" Frosted Cpl		1
4	5108537	SPOKEGUARD 24 INCH SPIDER,CPL		1
5	5108531	SPOKEGUARD 22"SMILEY,CPL		1
6	5102800	Spoke Protection 22" Frosted Cpl		1
7	5108533	SPOKEGUARD 22"SPIDER,CPL		1
8	5108529	SPOKEGUARD 20"SMILEY,CPL		1
9	5102795	Spoke Protection 20" Frosted Cpl		1

# Brake

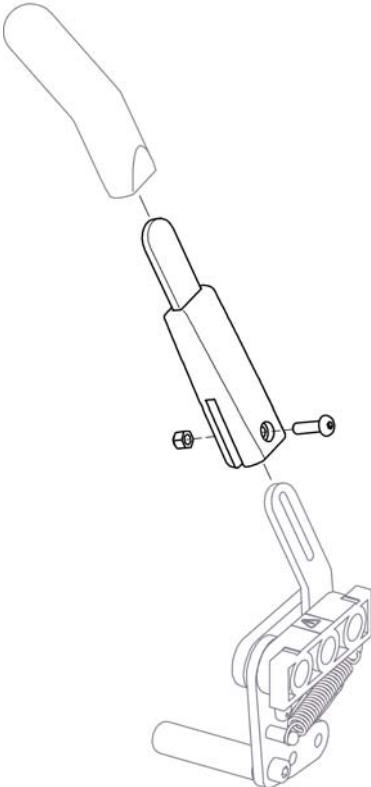
SPS5108095



Pos.	Part number	Description	Valid from → until	Qty
1	5108094	BRAKE CPL LEFT,WHEELER		1
2	5108095	BRAKE CPL RIGHT,WHEELER		1

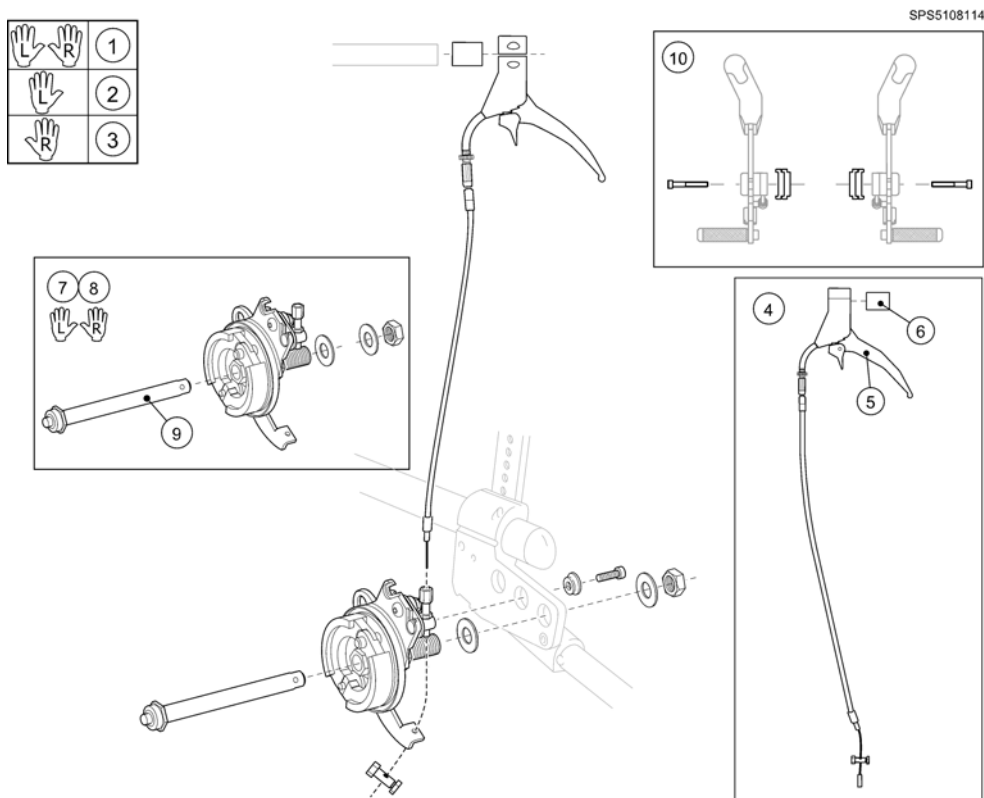


# Brake extender



Pos.	Part number	Description	Valid from → until	Qty
	5203340	BRAKE ARM EXTENSION CPL		1

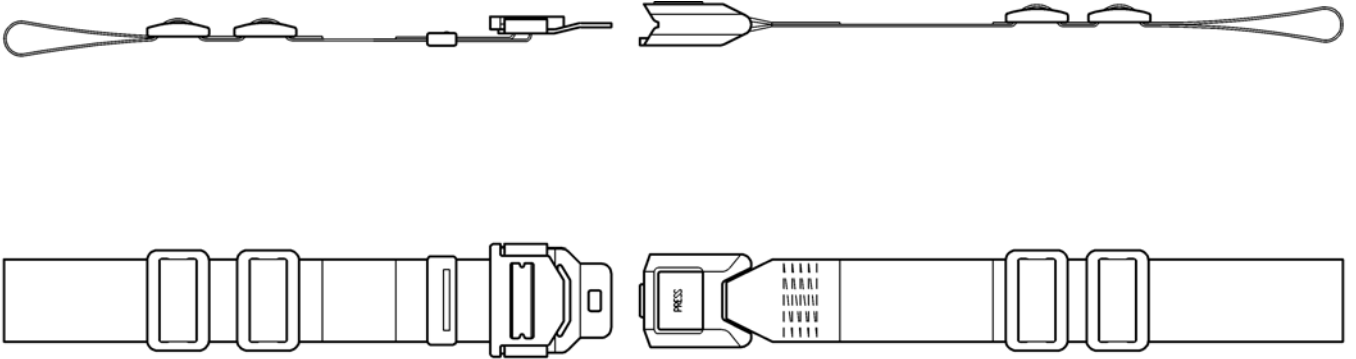
# Drum brake kit 20"- 24"



SPS5108114

Pos.	Part number	Description	Valid from → until	Qty
1	5108114	DRUMBRAKE KIT QR PA,CPL		1
2	5108116	DRUMBRAKE KIT QR LE,CPL		1
3	5108115	DRUMBRAKE KIT QR RI,CPL		1
4	1514451	CABLE ASSY, DRUMBRAKE, WHEELER		1
5	5735256	Brake Handle		1
6	5221363	ADAPTER BRAKE HANDLE		1
7	5750182	BRAKE UNIT QR CPL LE		1
8	5750181	BRAKE UNIT QR CPL RI		1
9	5750192	Axle, Drumbrake		1
10	5207648	WIDTH EXT 10MM, BRAKE		1

## Pelvic belt

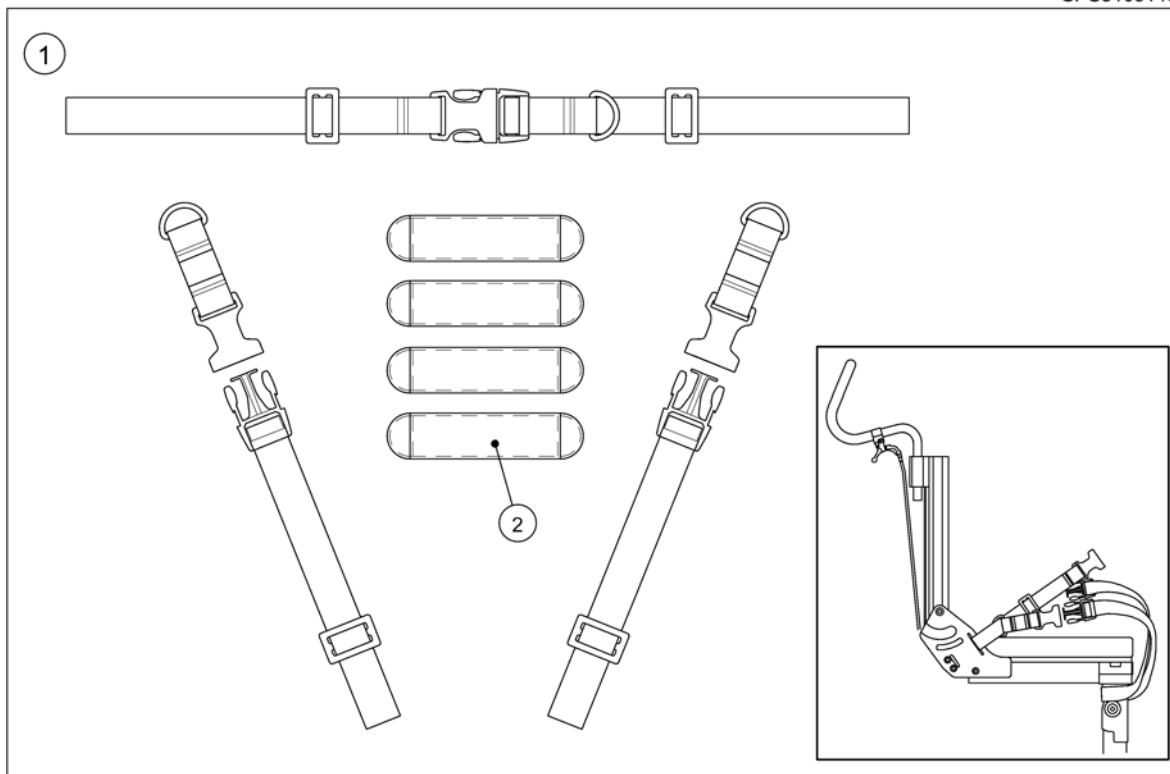


SPS5252276

Pos.	Part number	Description	Valid from → until	Qty
	5252276	PELVIC BELT		1



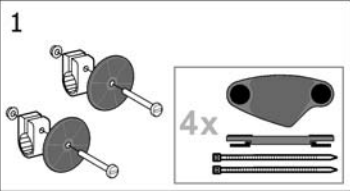
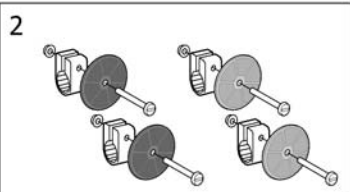
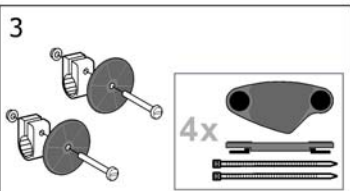
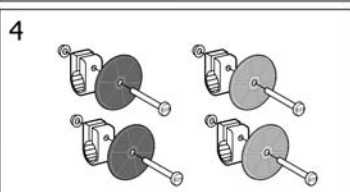
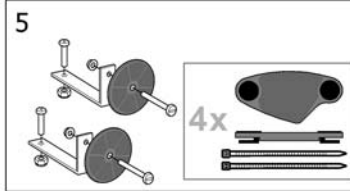
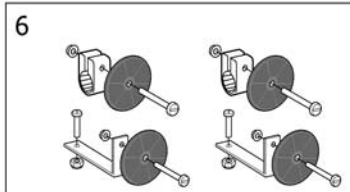
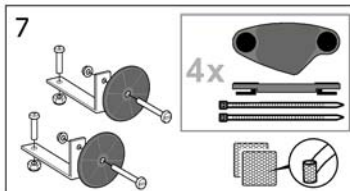
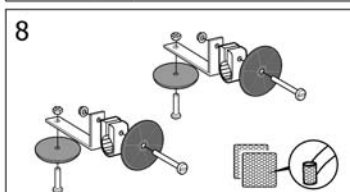
# Pelvic belt, 4-point

SPS5108145



Pos.	Part number	Description	Valid from → until	Qty
1	5108145	SAFETY BELT 4-POINT,WHE		1
2	5108686	BELT CUSHION		1

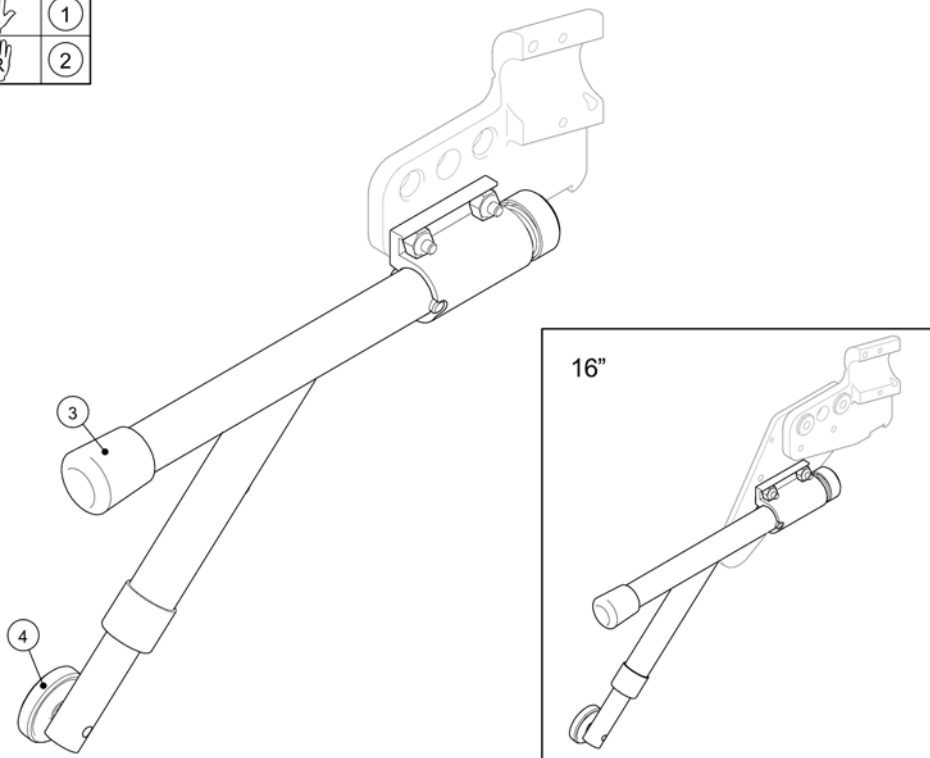
# Reflector

			
	20-26"	16"	
Assist	-	4	
Azalea	1	2	
Bellis	3	3	
Clematis	1	-	
Spin <sup>x</sup>	1	-	
Spirea <sup>2</sup> , Spirea <sup>3</sup> , Spirea <sup>4NG</sup>	5	6	
Wheeler	7	8	
XLT, XLT Max	3	-	

Pos.	Part number	Description	Valid from → until	Qty
1	5206655	Reflector Kit 1		1
2	5254249	Reflector Kit 2		1
3	5206640	Reflector Kit 3		1
4	1415574	Reflector Kit 4		1
5	5104965	Reflector Kit 5		1
6	1435760	Reflector Kit 6		1
7	5108147	Reflector Kit 7		1
8	5108024	Reflector Kit 8		1

# Anti-tip device

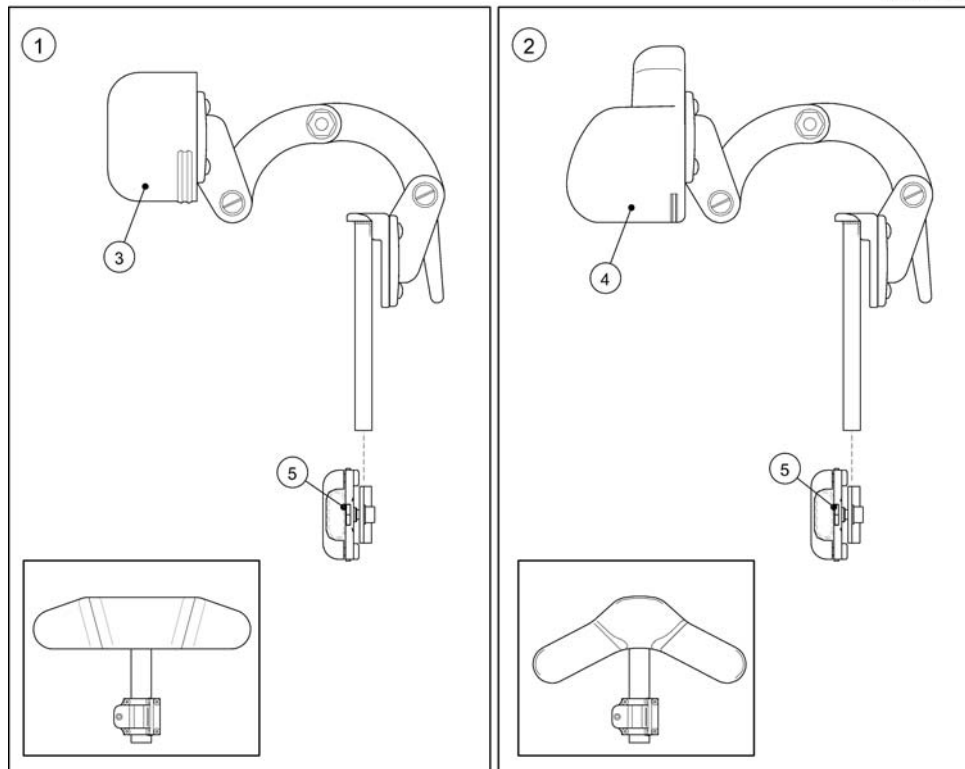
SPS1431458



Pos.	Part number	Description	Valid from → until	Qty
1	1431458	ANTI-TIP DEVICE LE. CPL. WHEELER		1
2	1431457	ANTI-TIP DEVICE RI. CPL. WHEELER		1
3	5716276	PLASTIC TIP K25 BLACK OUT		1
4	5750110	WHEEL ANTI.TIPPER BLACK		1

## Neckrest/ headrest

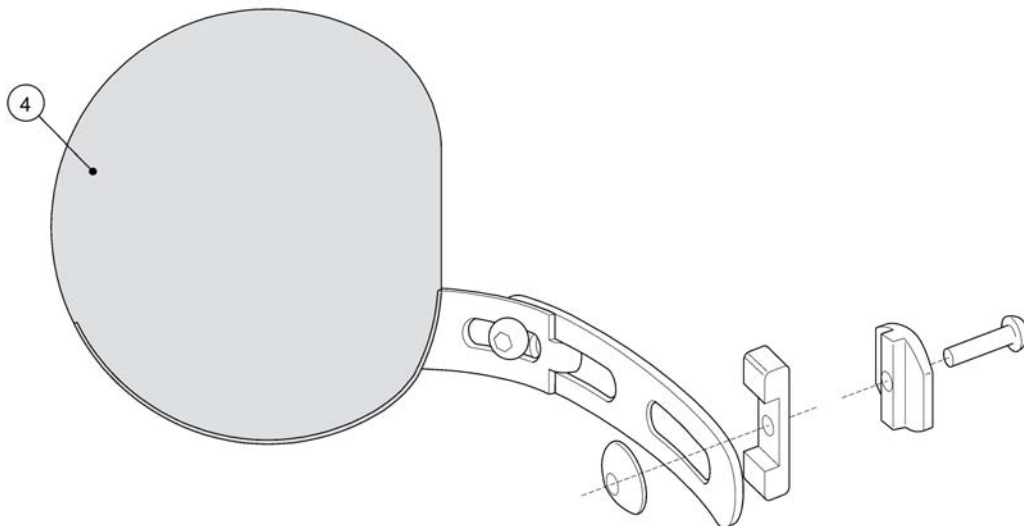
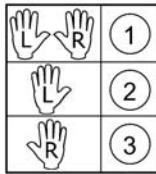
SPS5108061



Pos.	Part number	Description	Valid from → until	Qty
1	5108475	HEADREST CUSHION STANDARD,CPL		1
2	5108476	HEADREST CUSHION ROUND,CPL		1
3	5108002	NECKREST CUSH. STD.,INCL. UPHOLSTERY,BLACK		1
4	5108473	NECKR CUSH. ROUND,INCL. UPHOLST.,BLACK		1
5	5108552	ATTACHM. NECKREST/HEADREST CPL.		1

# Trunk support, comfort

SPS5108335



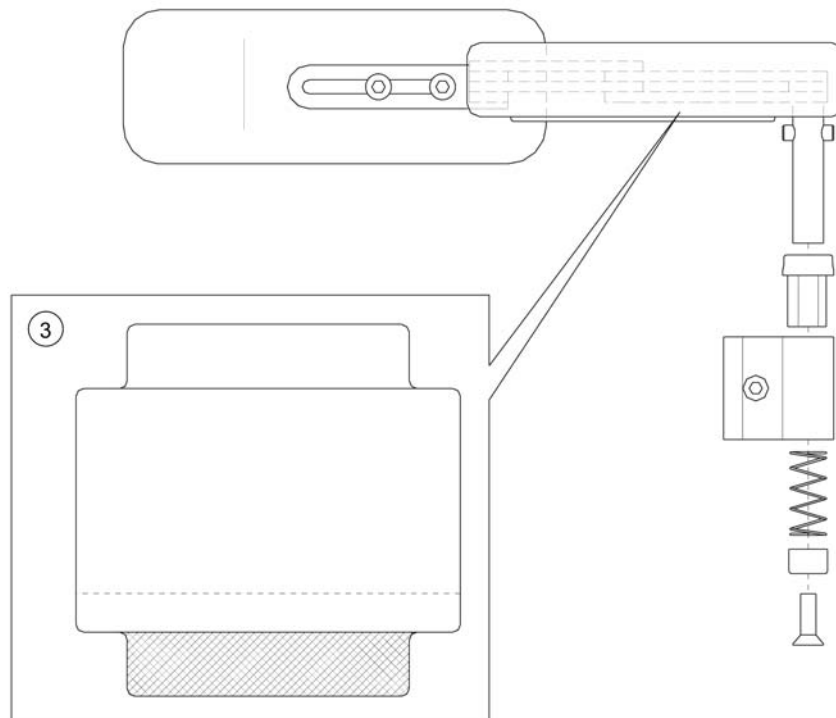
Pos.	Part number	Description	Valid from → until	Qty
1	5108137	TRUNK SUPP COMF BACK,PA		1
2	5108335	TRUNK SUPP COMF BACK,LE		1
3	5108334	TRUNK SUPP COMF BACK,RI		1
4	5108734	UPHOLSTERY, TRUNK SUP.WH		1



# Trunk support, foldable

SPS5108337

① ②

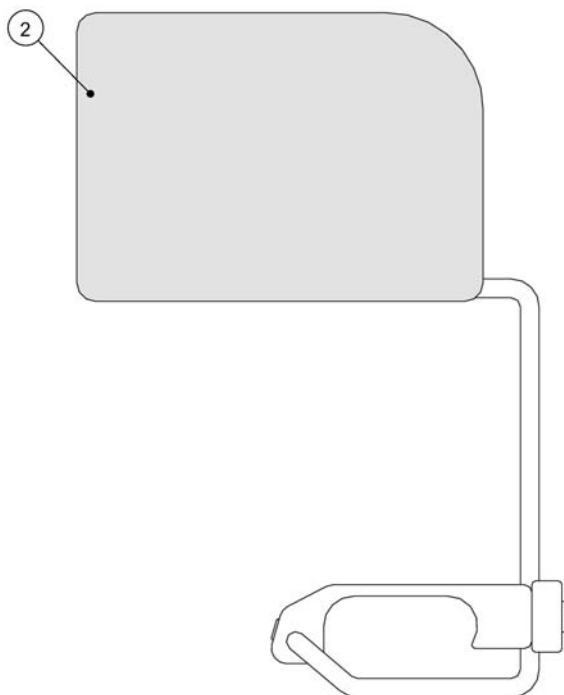


Pos.	Part number	Description	Valid from → until	Qty
1	5108337	TRUNK SUPP FOLD LE,CPL		1
2	5108336	TRUNK SUPP FOLD RI,CPL		1
3	1431376	COVER, TRUNK SUPPORT TRUNK SUPPORT FOLDABLE		1

# Pommel

SPS5108148

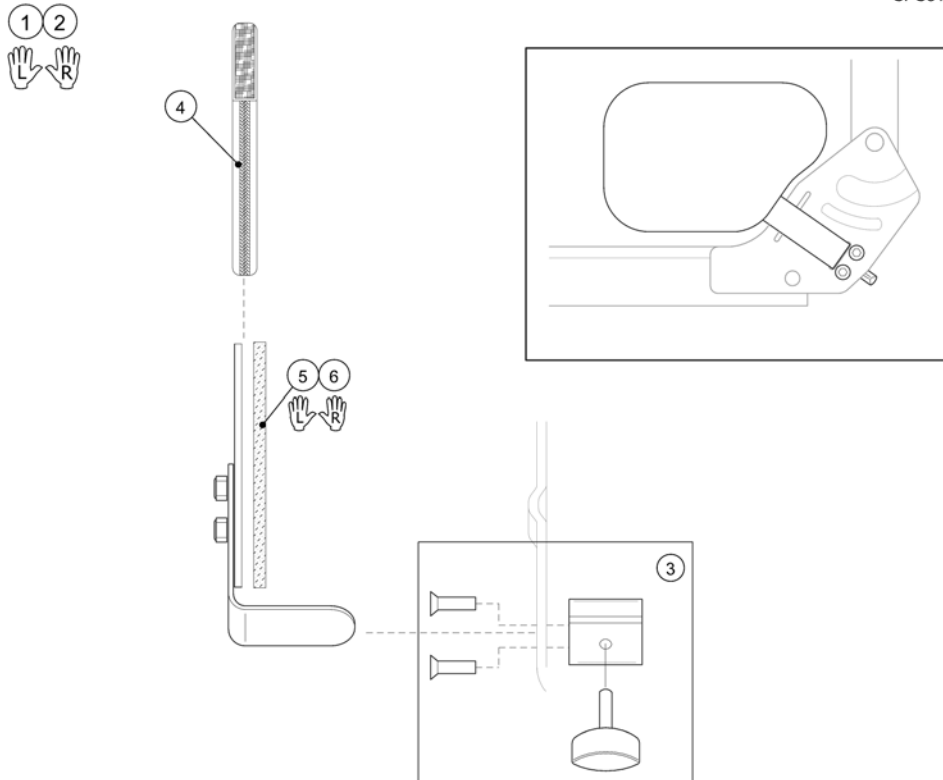
①



Pos.	Part number	Description	Valid from → until	Qty
1	5108148	POMMEL CPL, WHEELER		1
2	5108773	CUSHION POMMEL,WH		1

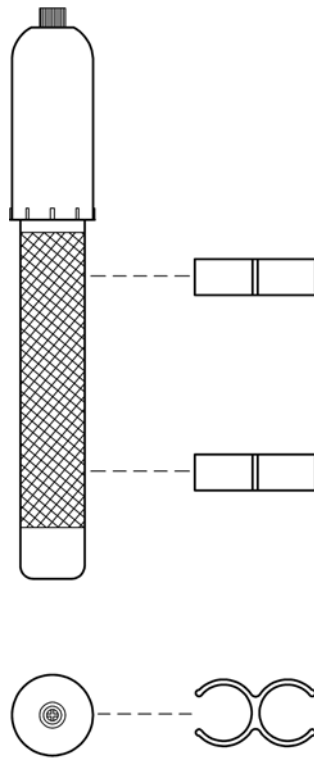
# Hip support

SPS5108150



Pos.	Part number	Description	Valid from → until	Qty
1	5108151	PELVIC SUPPORT LE CPL,WH		1
2	5108150	PELVIC SUPPORT RI CPL,WH		1
3	1514384	ATTACHMENT, HIP SUPPORT, WHEELER		1
4	5108397	UPH PELVIC SUPPORT,WHE		1
5	5108394	HIP SUPPORT PLATE LE,WHE		1
6	5108393	HIP SUPPORT PLATE RI,WHE		1

# Pump

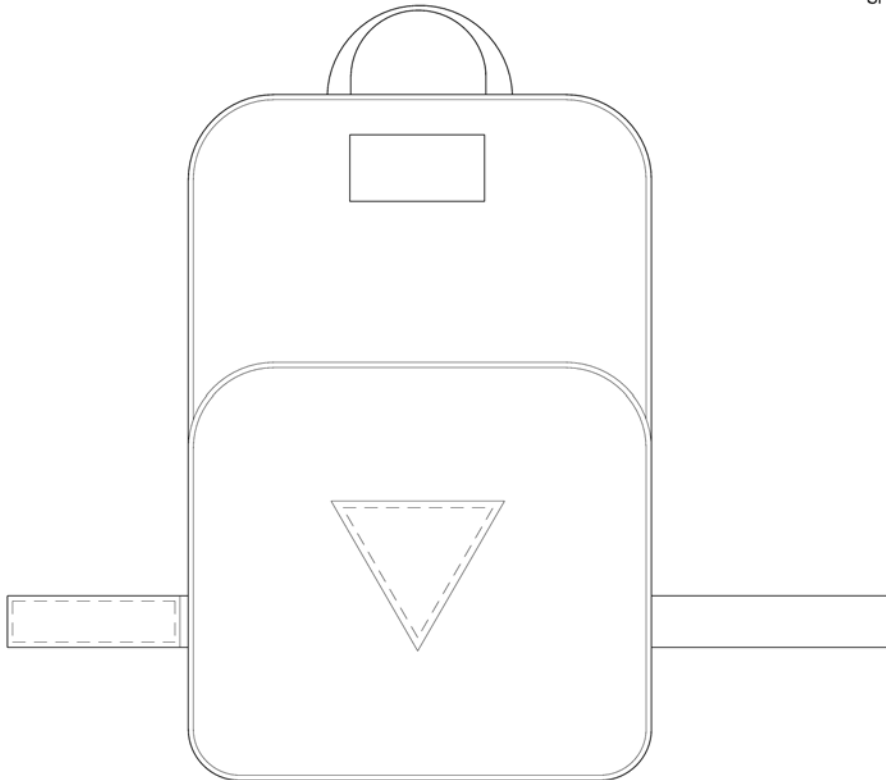


SPS575072€

Pos.	Part number	Description	Valid from → until	Qty
	5750729	PUMP CPL,MODEL-97		1

# Wheelchair bag

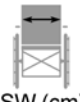
SPS5108159

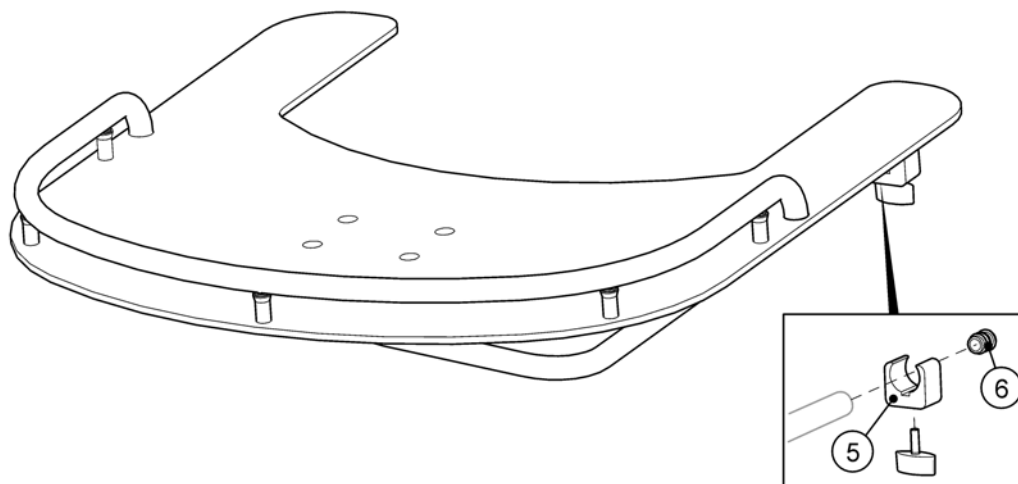


Pos.	Part number	Description	Valid from → until	Qty
1	5108159	BACKPACK, WHEELER		1

# Table tray

SPS510814<sup>4</sup>


 SW (cm)	26	1
	29	2
	32	3
	35	4

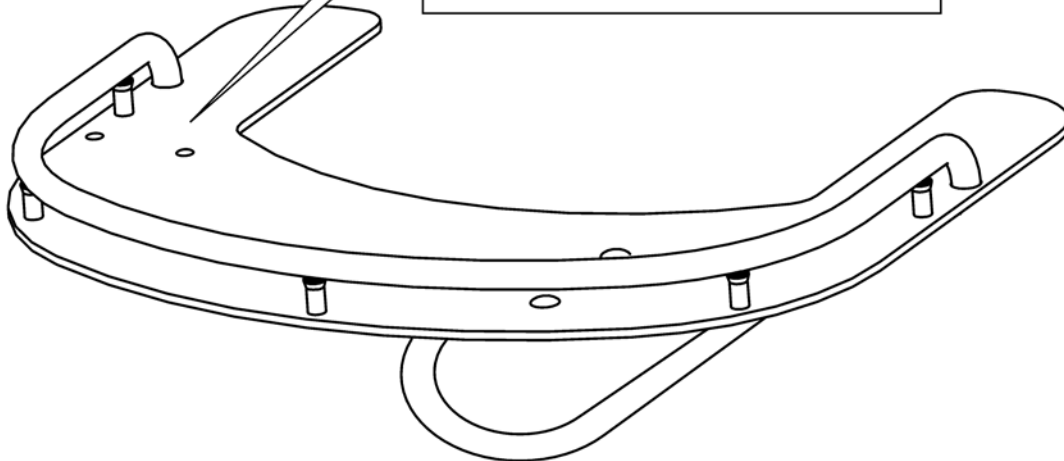
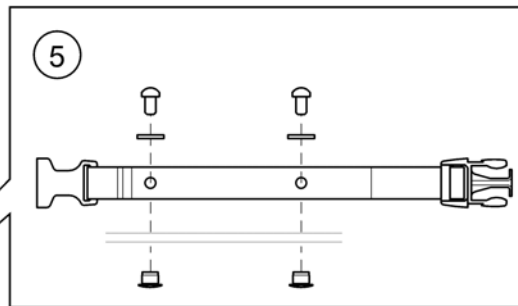


Pos.	Part number	Description	Valid from → until	Qty
1	5108141	WORKINGTABLE 26 CPL,WHE		1
2	5108142	WORKINGTABLE 29 CPL,WHE		1
3	5108143	WORKINGTABLE 32 CPL,WHE		1
4	5108144	WORKINGTABLE 35 CPL,WHE		1
5	5108426	TABLE ATTATCHM.CPL WHEEL		1
6	5321691	PLASTIC CAP 18/12-16		1

## Position table

SPS5108495

 SW (cm)	26	1
	29	2
	32	3
	35	4



Pos.	Part number	Description	Valid from → until	Qty
1	5108492	POSITION.TABLE 26 CPL,WH		1
2	5108493	POSITION.TABLE 29 CPL,WH		1
3	5108494	POSITION.TABLE 32 CPL,WH		1
4	5108495	POSITION.TABLE 35 CPL,WH		1
5	1514385	STRAP CPL., POS. TABLE, WHEELER		1



Yes, you can.®



---

**Belgium & Luxemburg:**

Invacare nv, Autobaan 22, B-8210 Loppem  
Tel: (32) (0)50 83 10 10, Fax: (32) (0)50 83 10 11  
belgium@invacare.com

**Danmark:**

Invacare A/S, Sdr. Ringvej 37, DK-2605 Brøndby  
Tel: (45) (0)36 90 00 00, Fax: (45) (0)36 90 00 01  
denmark@invacare.com

**Deutschland:**

Invacare Aquatec GmbH, Alemannenstraße 10, D-88316 Isny  
Tel: (49) (0)75 62 7 00 0, Fax: (49) (0)75 62 7 00 66  
info@invacare-aquatec.com

**European Distributor Organisation:**

Invacare, Kleiststraße 49, D-32457 Porta Westfalica  
Tel: (49) (0)57 31 754 540, Fax: (49) (0)57 31 754 541  
edo@invacare.com

**España:**

Invacare SA, c/Areny s/n, Polígon Industrial de Celrà, E-17460 Celrà (Girona)  
Tel: (34) (0)972 49 32 00, Fax: (34) (0)972 49 32 20  
contactsp@invacare.com

**France:**

Invacare Poirier SAS, Route de St Roch, F-37230 Fondettes  
Tel: (33) (0)2 47 62 64 66, Fax: (33) (0)2 47 42 12 24  
contactfr@invacare.com

**Ireland:**

Invacare Ireland Ltd, Unit 5 Seatown Business Campus, Seatown Road, Swords, County Dublin - Ireland  
Tel: (353) 1 810 7084, fax: (353) 1 810 7085  
ireland@invacare.com

**Italia:**

Invacare Mecc San s.r.l., Via dei Pini 62, I-36016 Thiene (VI)  
Tel: (39) 0445 38 00 59, Fax: (39) 0445 38 00 34  
italia@invacare.com

**Nederland:**

Invacare BV, Celsiusstraat 46, NL-6716 BZ Ede  
Tel: (31) (0)318 695 757, Fax: (31) (0)318 695 758  
nederland@invacare.com, csede@invacare.com

**Norge:**

Invacare AS, Grensesvingen 9, Postboks 6230, Etterstad, N-0603 Oslo  
Tel: (47) (0)22 57 95 00, Fax: (47) (0)22 57 95 01  
norway@invacare.com, island@invacare.com

**Österreich:**

Mobitec Mobilitätshilfen GmbH, Herzog Odilostrasse 101, A-5310 Mondsee  
Tel: (43) 6232 5535 0, Fax: (43) 6232 5535 4  
office@mobitec-austria.com, austria@invacare.com

**Portugal:**

Invacare Lda, Rua Estrada Velha, 949, P-4465-784 Leça do Balio  
Tel: (351) (0)225 1059 46147, Fax: (351) (0)225 1057 39  
portugal@invacare.com

**Sverige & Suomi:**

Invacare AB, Fagerstagatan 9, S-163 91 Spånga  
Tel: (46) (0)8 761 70 90, Fax: (46) (0)8 761 81 08  
sweden@invacare.com, finland@invacare.com

**Switzerland:**

Mobitec Rehab AG, Benkenstrasse 260, CH-4108 Witterswil  
Tel: (41) (0)61 487 70 80, Fax: (41) (0)61 487 70 81  
office@mobitec-rehab.ch, switzerland@invacare.com

**United Kingdom:**

Invacare Limited, Pencoed Technology Park, Pencoed, Bridgend CF35 5HZ  
Switchboard Tel: (44) (0)1656 776200, Fax: (44) (0)1656 776201  
Customer services Tel: (44) (0)1656 776222, Fax: (44) (0)1656 776220  
UK@invacare.com