



Yes, you can.®



Invacare® Alegio™

Spare Part List

Invacare[®] colour code structure:

All ident. no. followed by XXXX must be ordered according to the following table:

Chemically surface treated metal parts, eg. insertion tubes and fittings		
Code	Designation	Colour
0001	Metal, blue chromated, glossy	Bright
0002	Metal, zinc plated	Bright
0003	Metal, zinc plated	Black
0004	Aluminium, anodized	Black
0005	Aluminium, anodized	Aluminium
0011	Metal, blue chromated, matt	Bright

Wooden parts, eg. bed ends and side rails		
Code	Designation	Colour
0101	Wood, steam-stripped beech	Beech
0102	Wood, cherry coloured beech	Cherry
0103	Wood, mahogany coloured beech	Mahogany
0105	Wood, white pigmented beech	Light beech

Synthetic board, eg. bed end plates		
Code	Designation	Colour
0110	Synthetic board, Etronit 855 LP	Green (NCS 4724-G84Y)
0111	Synthetic board, Etronit 841 LP	Blue (NCS 4545-R78B)
0112	Synthetic board, Etronit 330 LP	White (NCS 0502-G99Y)
0113	Synthetic board, Etronit 838 LP	Red (NCS 1769-Y95R)
0114	Synthetic board, Etronit 831 LP	Blue (NCS 3054-R82B)
0115	Synthetic board, Etronit 281 LP	Grey (NCS 2300)
0116	Synthetic board, Etronit 871 LP	Light blue (NCS 1327- R79B)
0117	Synthetic board, Etronit 873 LP	Mint green (NCS 0733-G19Y)

Steel parts, eg. mattress supports, shear arms, bases, lifting poles and bed ends		
Code	Designation	Colour
0150	Steel, powder painted	White (NCS S0502-G)
0151	Steel, powder painted	Cinnamon (NCS S3020-Y30R)
0152	Steel, powder painted	Silver
0153	Steel, powder painted	Blue (NCS 3350-R82B)
1015	Steel, powder painted	Light ivory (RAL 1015)
3004	Steel, powder painted	Purple red (RAL 3004)
5002	Steel, powder painted	Ultramarine blue (RAL 5002)
7012	Steel, powder painted	Basalt grey (RAL 7012)
7032	Steel, powder painted	Pebble grey (RAL 7032)
7035	Steel, powder painted	Light grey (RAL 7035)
7039	Steel, powder painted	Quartz grey (RAL 7039)
8016	Steel, powder painted	Mahogany brown (RAL 8016)
9005	Steel, powder painted	Jet black (RAL 9005)
9006	Steel, powder painted	Aluminium (RAL 9006)
9010	Aluminium and steel, painted	Pure white (RAL 9010)

Plastic parts, eg. electrical motors, hand controls and control boxes, handles, mattress retainers, sliders and bearings, ferrules and clamps		
Code	Designation	Colour
7012	Moulded plastic	Basalt grey (RAL 7012)
7016	Moulded plastic	Anthracite grey (RAL 7016)
7032	Moulded plastic	Pebble grey (RAL 7032)
7035	Moulded plastic	Light grey (RAL 7035)
7042	Moulded plastic	Traffic grey A (RAL 7042)
7046	Moulded plastic	Telegrey 2 (RAL 7046)
9005	Moulded plastic	Jet black (RAL 9005)
9010	Moulded plastic	Pure white (RAL 9010)

NB. On account of production process limitations, not all combinations of spare parts and colours are available.

Table of Contents

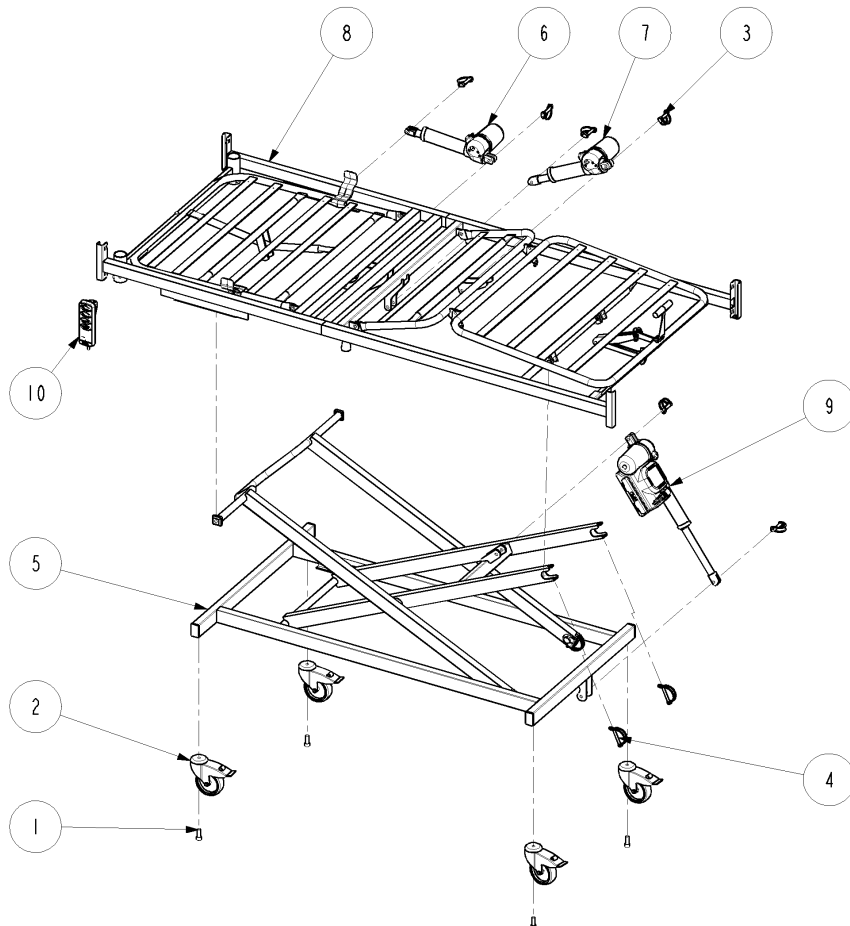
Alegio, 4 sectioned	6
Mattress support, 4 sectioned	7
Shear arm.	8
Alegio, 3 sectioned	9
Mattress support, 3 sectioned	10
Height adjustable legs.	11
Shear arm and base, Alegio with central brake	12
Motor and control unit	14
Control unit	15
IR remote control system.	15
Support for hand control	16
Vibeke wooden bed, high - 1 pair.	17
Vibeke wooden bed, low and high - 1 pair.	18
Kirsty wooden bed end with slide bars - 1 pair.	19
Kirsty wooden bed end without slide bars - 1 pair.	20
Kirsty wooden bed end with slide bars - 1 pair.	21
Kirsty wooden bed end without slide bars - 1 pair.	22
Nina wooden side rail - 1 pair.	23
Verso steel side rail - 1 pair	24
IV drip rod	25
Lifting pole	26
Transport trolley.	27

Alegio, 4 sectioned

Ident. no.: ALEGIO.XXXX.XX

June 2006

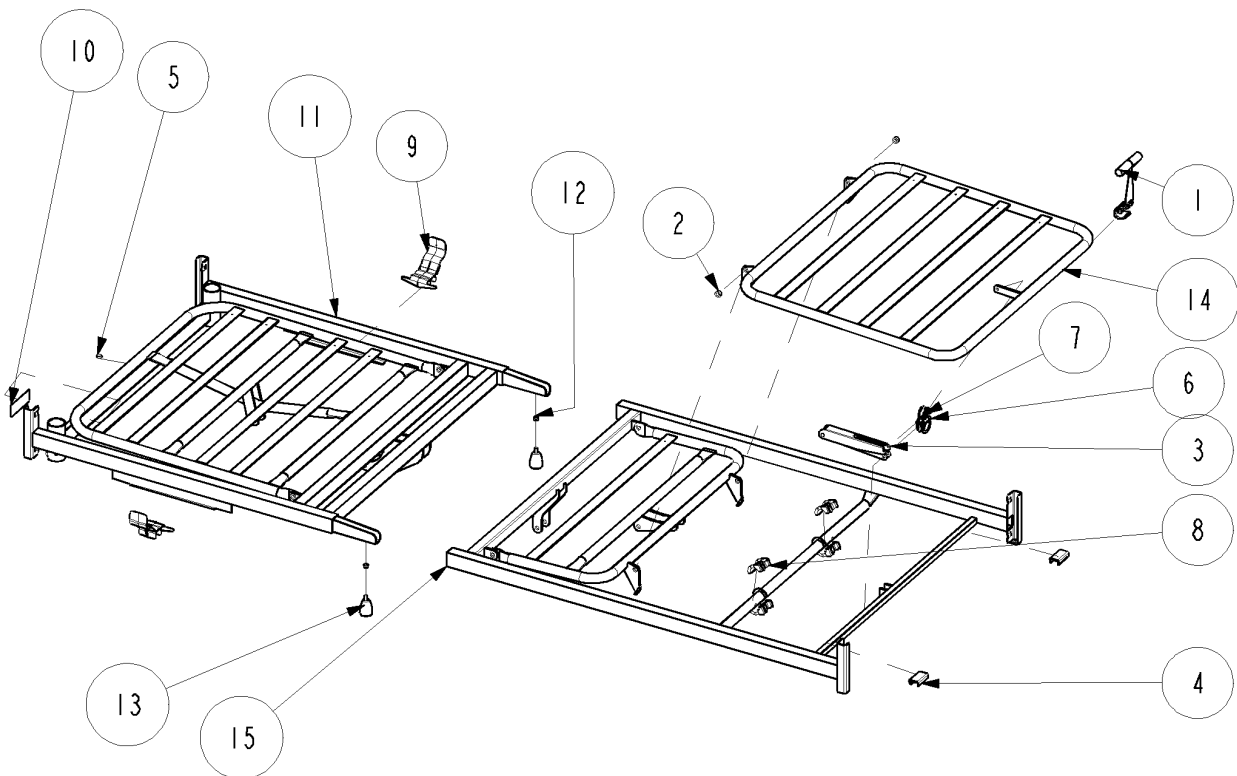
Pos.	Qty.	Ident. no.:	Description
1	4	803066	Screw M12X30
2	4	818383	Braking castor – Ø100
		6790033	Braking castor – Ø125
		1450373	Braking castor – Ø150
	1	1492953-XXXX	Central braking castor assembly
3	4	819411	Pipe pin Ø10X50
4	2	819456	Pipe pin Ø8X60
5	1	1427597-XXXX	Shear assembly
		1492658-XXXX	Shear assembly for central brake beds
6	1	1451430	Motor
7	1	1451440	Motor
8	1		Mattress support, 4 sectioned
9	1	1451876	Motor and control unit, EU
		1451878	Motor and control unit, AUS
		1451879	Motor and control unit, UK
10	1	1451907	Hand control
		1451429	Hand control with blocking function



Mattress support, 4 sectioned

June 2006

Pos.	Qty.	Ident. no.:	Description
1	1	217996-XXXX	Mattress support handle
2	2		Tubular rivet (can be replaced by 1435195)
3	1	418467	Rastofix bracket
4	2	422164	U-border strip
5	1	806775	Rubber pad
6	1	1417415	Pipe pin Ø8X40
7	1	1417416	Pipe pin Ø6X32
8	4	1423842	Rotate bush
9	2	1423980	Mattress retainer
10	1		Identification label
11	1	1427599-XXXX	Top frame with back rest (bed with shear base)
		1446365-XXXX	Top frame with back rest (bed with legs)
12	2	1434023	Blind rivet nut M8X19
13	2	1435325-XXXX	M8 handle
14	1	1441380-XXXX	Leg section
15	1	1443917-XXXX	Top frame with thigh section (bed with shear base)
		1446366-XXXX	Top frame with thigh section (bed with legs)
14+15	1	1492145-XXXX	Top frame with thigh and leg section (bed with shear base)
14+15	1	1492146-XXXX	Top frame with thigh and leg section (bed with legs)

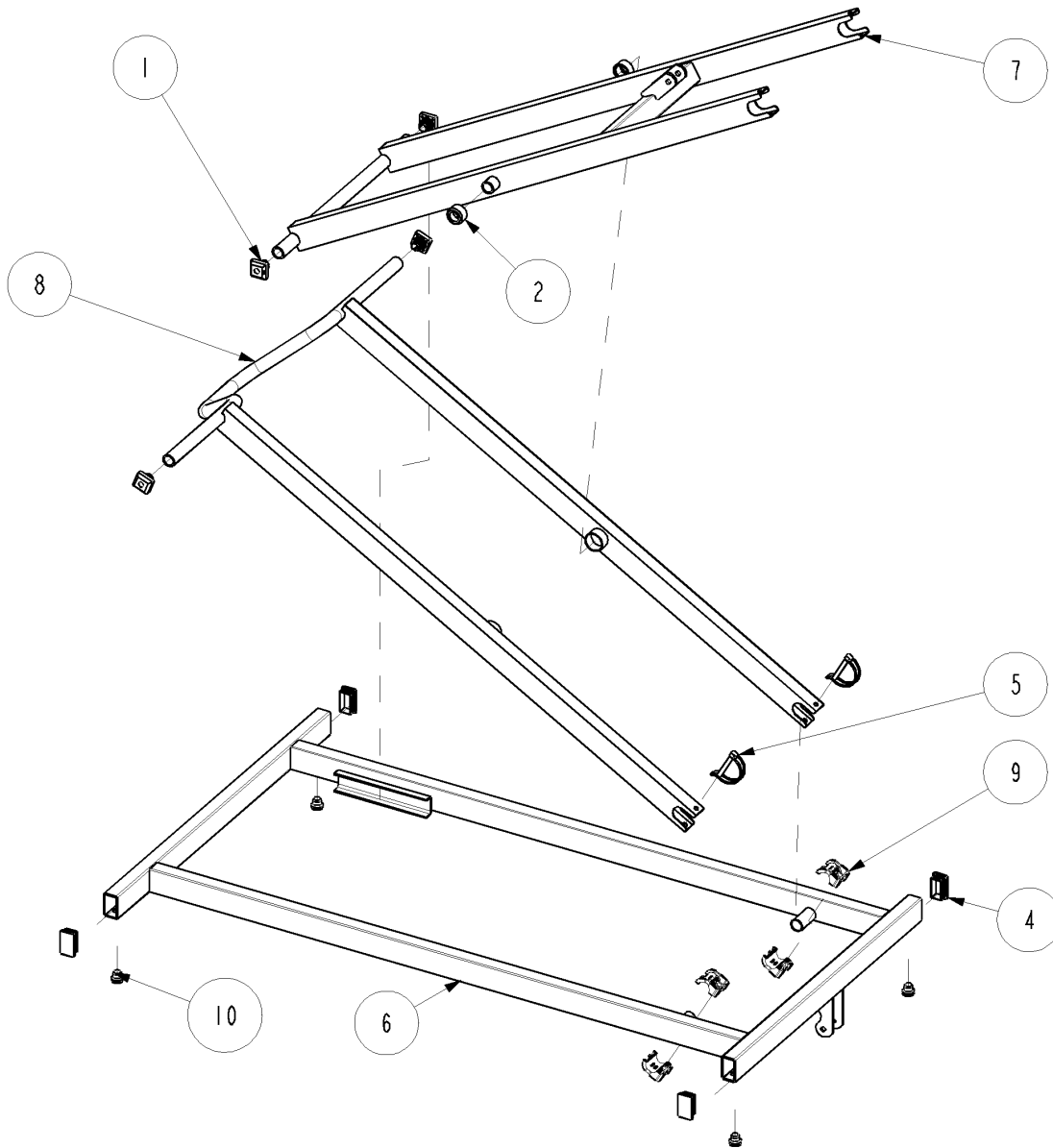


Shear arm

Ident. no.: I427597-XXXX

June 2006

Pos.	Qty.	Ident. no.:	Description
1	4	319155-XXXX	Slide shoe
2	2	421837-XXXX	Bearing bush $\text{\O}33,5 \times \text{\O}25,1$
4	4	819404-XXXX	Ferrule 50X30X3 inside
5	2	819456	Pipe pin $\text{\O}8 \times 60$
6	1	I423745-XXXX	Base
7	1	I423749-XXXX	Inner shear arm
8	1	I423750-XXXX	Outer shear arm
9	4	I423842	Turnable bush
10	4	I427650	Blind rivet nut M8X19

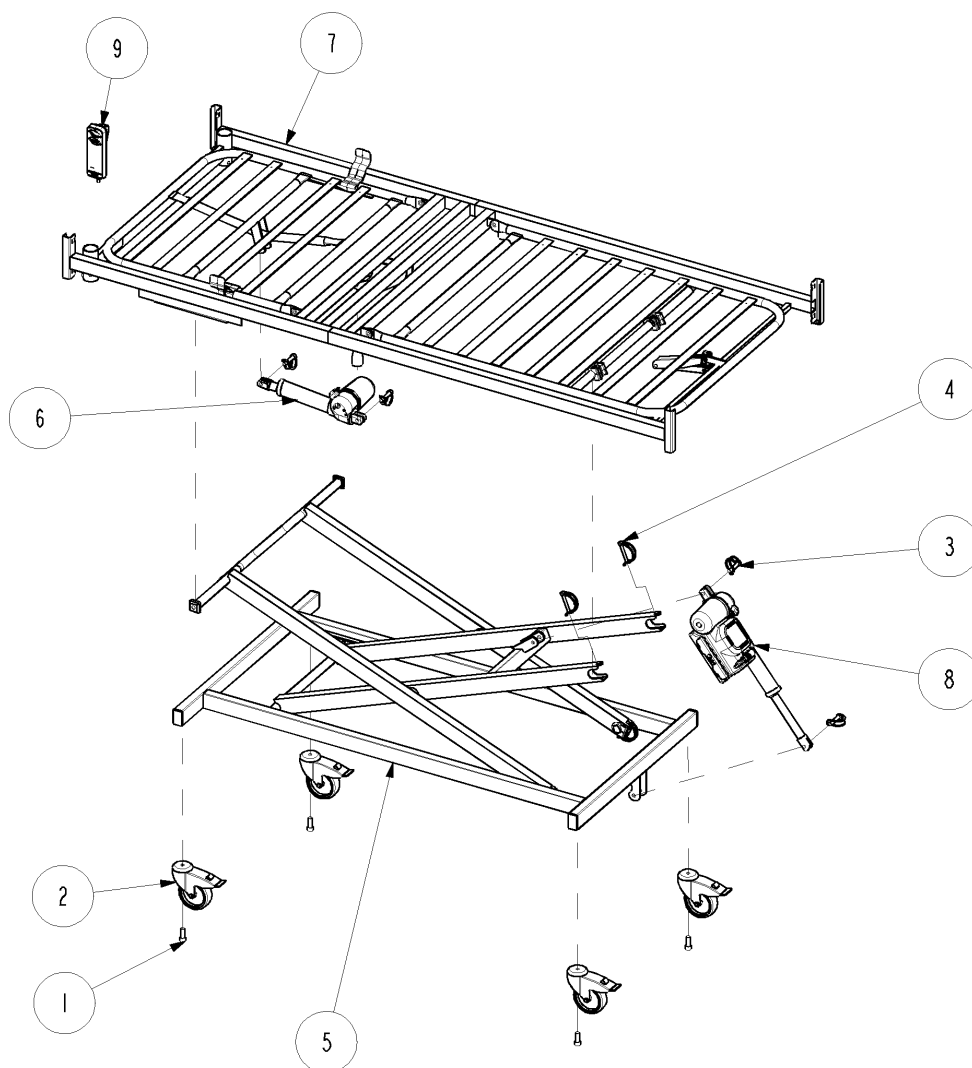


Alegio, 3 sectioned

Ident. no.: ALEGIO.XXXX.XX

June 2006

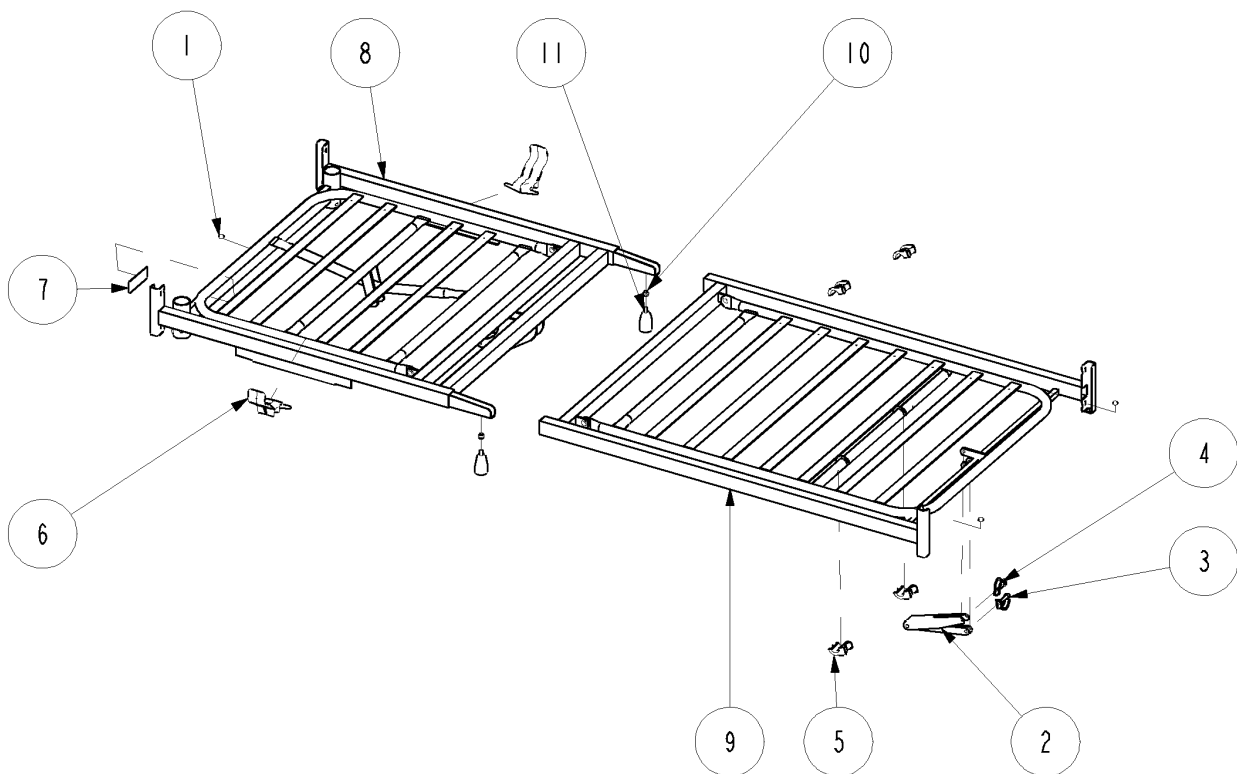
Pos.	Qty.	Ident. no.:	Description
1	4	803066	Screw M12X30
2	1	818383	Braking castor – Ø100
		6790033	Braking castor – Ø125
		1450373	Braking castor – Ø150
3	4	819411	Pipe pin Ø10X50
4	2	819456	Pipe pin Ø8X60
5	1	1427597-XXXX	Shear assembly
6	1	1451430	Motor
7	1		Mattress support, 3 sectioned
8	1	1451876	Motor and control unit, EU
		1451878	Motor and control unit, AUS
		1451879	Motor and control unit, UK
9	1	1451906	Hand control
		1451428	Hand control with blocking function



Mattress support, 3 sectioned

June 2006

Pos.	Qty.	Ident. no.:	Description
1	3	806775	Rubber pad
2	1	817205	Rastofix bracket
3	1	1417416	Pipe pin Ø6X32
4	1	1417415	Pipe pin Ø8X40
5	4	1423842	Rotate bush
6	2	1423980	Mattress retainer
7	1		Identification label
8	1	1427599-XXXX	Top frame, backrest
9	1	1427600-XXXX	Top frame, thigh
10	2	1434023	Blind rivet nut M8X19
11	2	1435325-XXXX	M8 handle

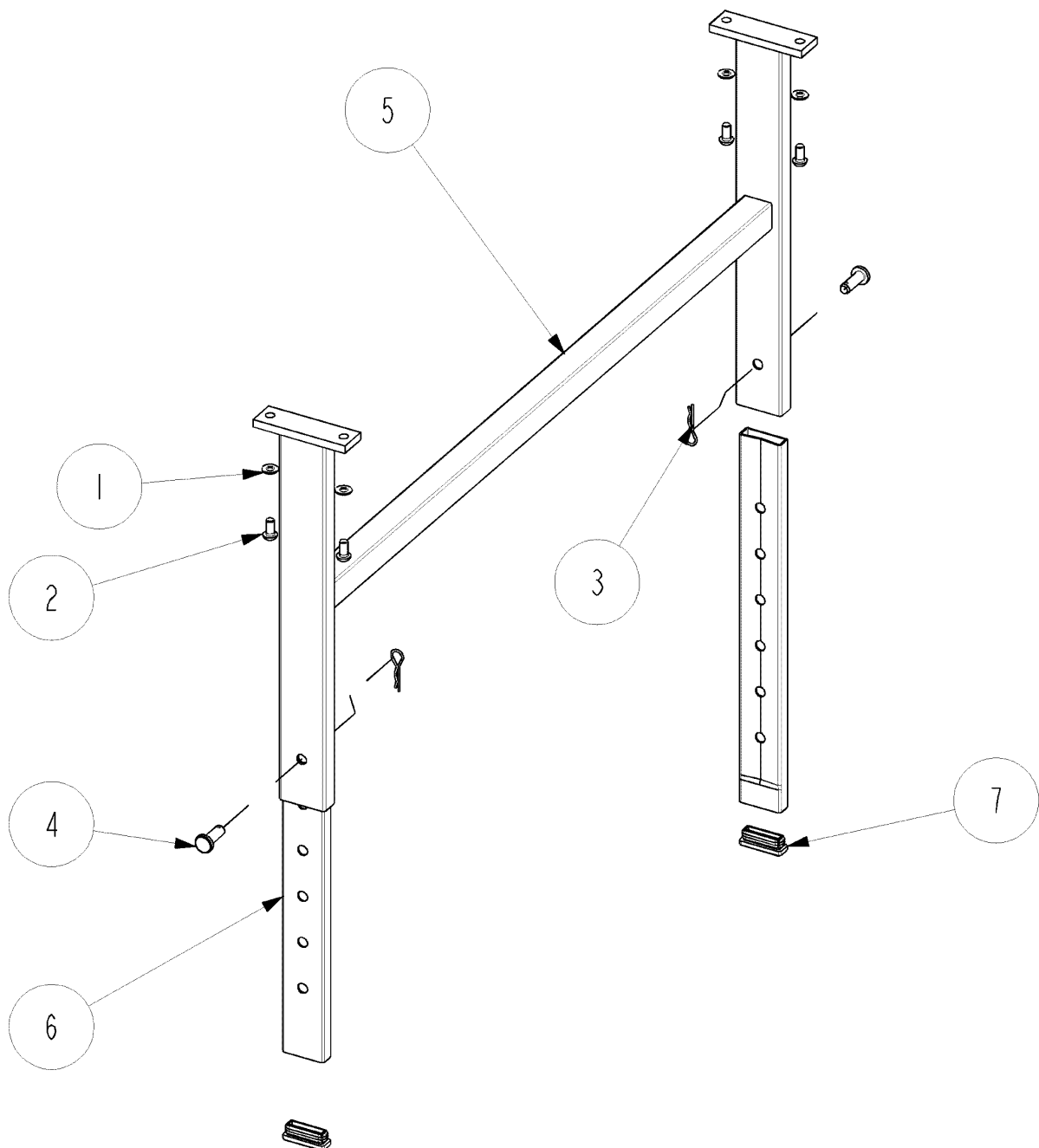


Height adjustable legs

Ident. no.: I448634-XXXX

June 2006

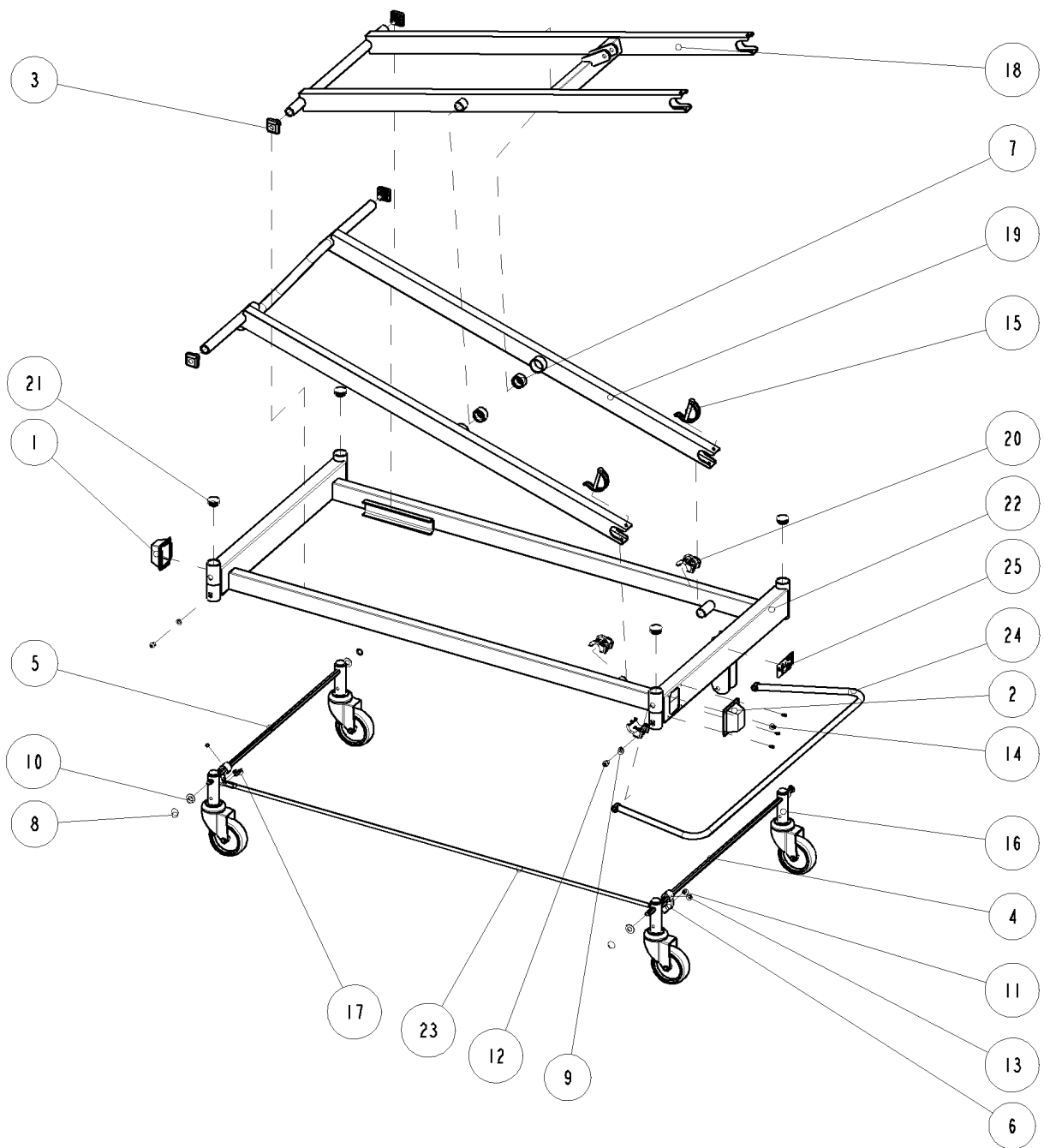
Pos.	Qty.	Ident. no.:	Description
1	4	804200	Washer M8
2	4	806645	Screw M8X16
3	2	816427	Spring pin Ø2
4	2	819468	Clevis pin Ø10X30X26
5	1	I446223-XXXX	Leg for top frame
6	2	I446224-XXXX	Inner tube for top frame
7	2	I446226-XXXX	Ferrule, inner, 45X15X1,5



Shear arm and base, Alegio with central brake

June 2006

Pos.	Qty.	Ident. no.:	Description
1	1	315626-XXXX	Cover for central brake system
2	1	317374-XXXX	Cover for central brake system
3	4	319155-XXXX	Slide shoe
4	1	414652	Brake axle
5	1	414653	Brake axle
6	2	414654	Retainer for brakeable castor
7	2	421837-XXXX	Bearing bush Ø33,5xØ25,1
8	4	803279	Starlock with cap Ø10
9	4	803876	Washer M8
10	4	804239	Washer Ø24xØ13x2,5 ISO 7089 PA6.6
11	2	806644	Pin Ø5x14 ISO 8750
12	4	815778	Screw M8x12 ISO 7380
13	2	817243	Screw M6x8 ISO 4029 A2
14	4	817252	Screw Ø4,2x13 ISO 7051
15	2	819456	Pipe pin Ø8x60
16	4	819460	Castor
17	1	821213	Pin Ø5x36 ISO 8750 A2
18	1	1423749-XXXX	Inner shear arm
19	1	1423750-XXXX	Outer shear arm
20	4	1423842-XXXX	Turnable bush
21	4	1423911-XXXX	Ferrule, inside
22	1	1492603-XXXX	Base for central brake
23	1	1492667	Central brake rod
24	1	1492955-XXXX	Central brake pedal
25	1		Identifikation label



Motor and control unit

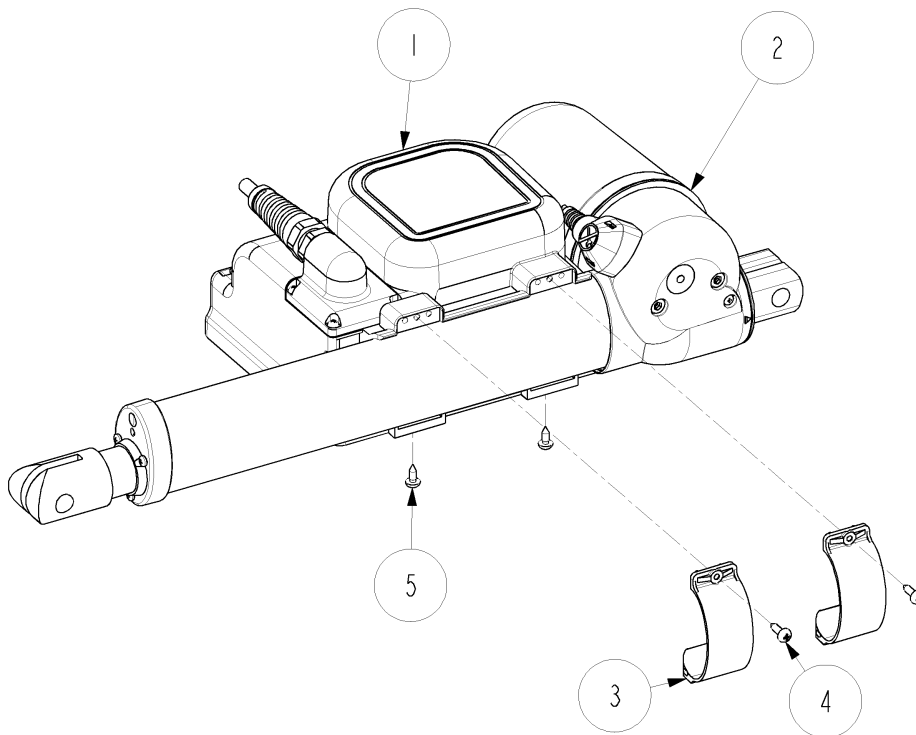
Ident. no.: 1451876 (EU)

Ident. no.: 1451878 (AUS)

Ident. no.: 1451879 (UK)

June 2006

Pos.	Qty.	Ident. no.:	Description
1	1	1451151	Control unit, EU
		1451669	Control unit, AUS
		1451668	Control unit, UK
2	1	1451157	Height motor, Dewert
3	2	1451269	Mounting clamp
4	2	1451271	Screw Ø3,9X13 PH2
5	2	1451273	Screw Ø3,9X9.5 PH2

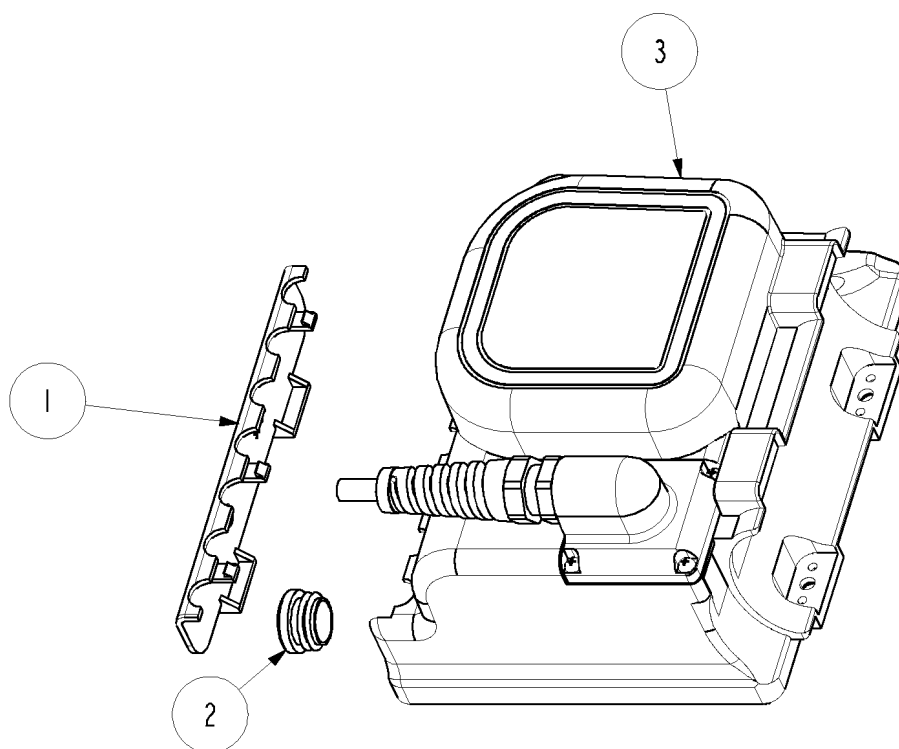


Control unit

Ident. no.: 1451151 (EU)
 Ident. no.: 1451669 (AUS)
 Ident. no.: 1451668 (UK)

June 2006

Pos.	Qty.	Ident. no.:	Description
1	1	1451146	Locking cam
2	1-4	1451148	Plug
1+2+3	1	X	Control unit, EU
			Control unit, AUS
			Control unit, UK



IR remote control system

Ident. no.: 1493079-XXXX (not illustrated)

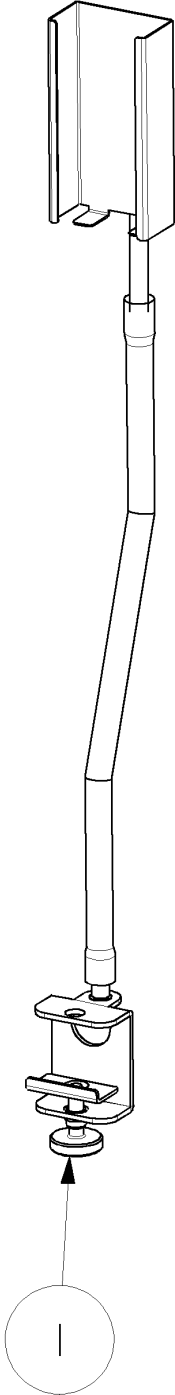
June 2006

Pos.	Qty.	Ident. no.:	Description
	1	1493077-XXXX	Remote hand control
	1		Infrared receiver
	1	1493078-XXXX	Adaptor box, receiver/control unit

Support for hand control

June 2006

Pos.	Qty.	Ident. no.:	Description
1	1	1451252-XXXX	Support for hand control

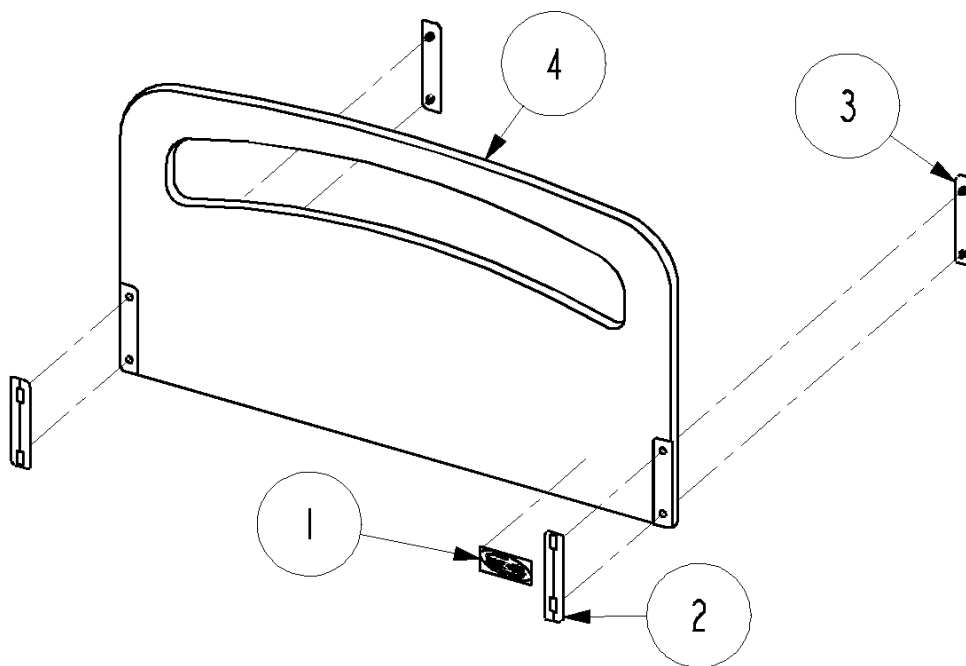


Vibeke wooden bed, high - 1 pair

Ident. no.: I427649-XXXX

June 2006

Pos.	Qty.	Ident. no.:	Description
1	2		Label with Invacare logo
2	2		Bed end plate
3	4	I433819	Plastic insert
4	4	I433824	Plastic insert

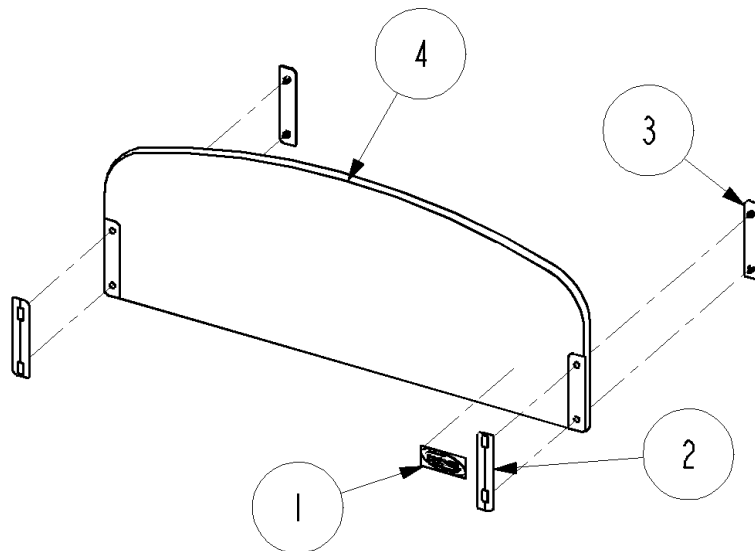
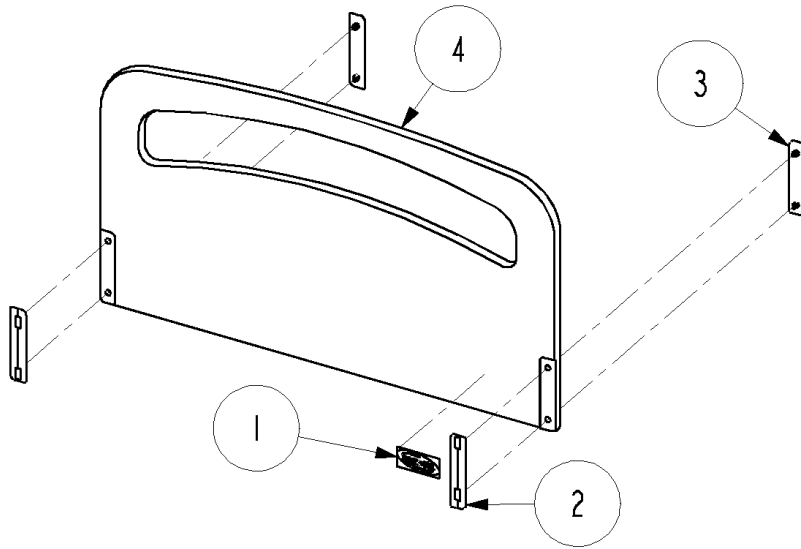


Vibeke wooden bed, low and high - 1 pair

Ident. no.: 1446251-XXXX

June 2006

Pos.	Qty.	Ident. no.:	Description
1	2		Label with Invacare logo
2	4	1433819	Plastic insert
3	4	1433824	Plastic insert
4	1		Bed end plate, high
			Bed end plate, low

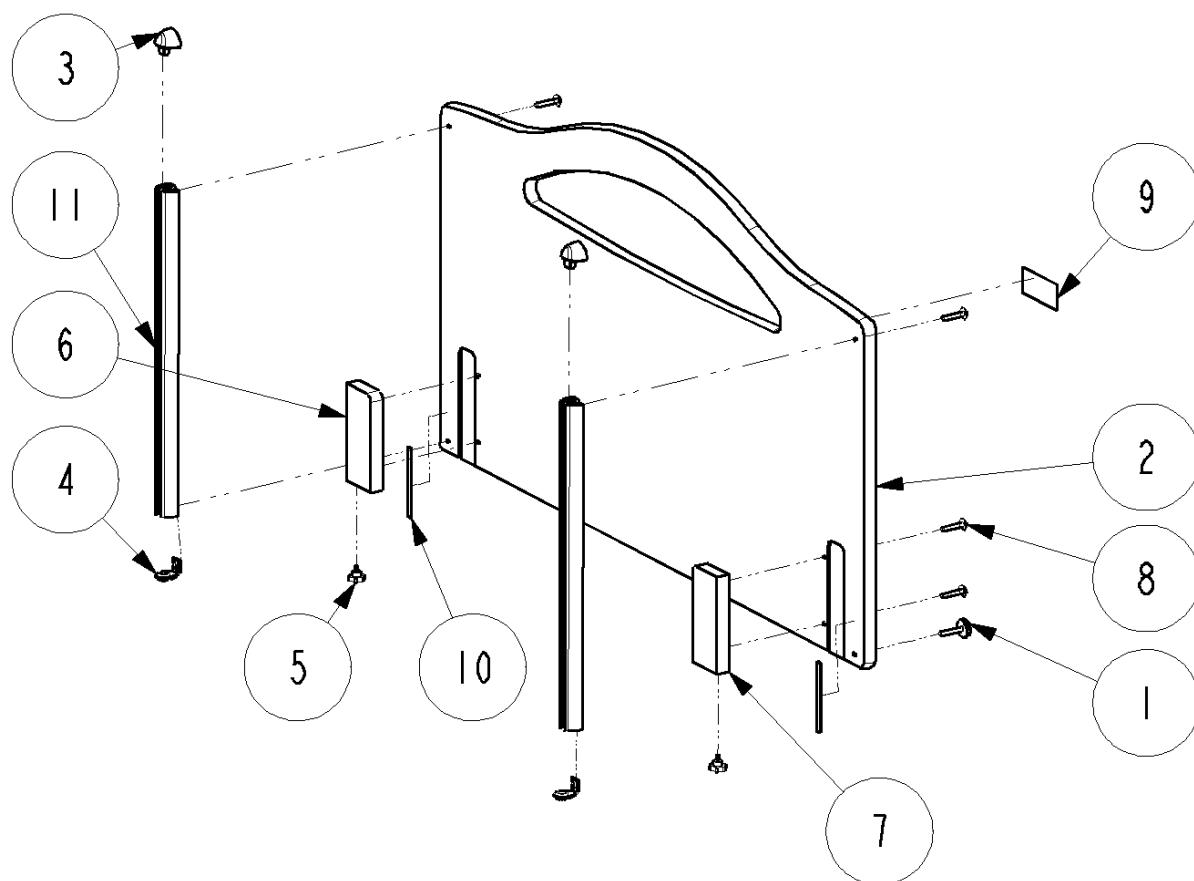


Kirsty wooden bed end with slide bars - 1 pair

Ident. no.: 1435245-XXXX

June 2006

Pos.	Qty.	Ident. no.:	Description
1	4	818322	Adjusting screw M6X40
2	2		Bed end plate
3	4	317882	Slide bar end plug
4	4	1441437	End stop with buffer
5	4	1435176	Finger screw M4X10
6	2		Fixation plate, left
7	2		Fixation plate, right
8	12		Furniture screw M6X35
9	2		Label with Invacare logo
10	4		Tape piece 100X9
11	4		Slide bar with nut

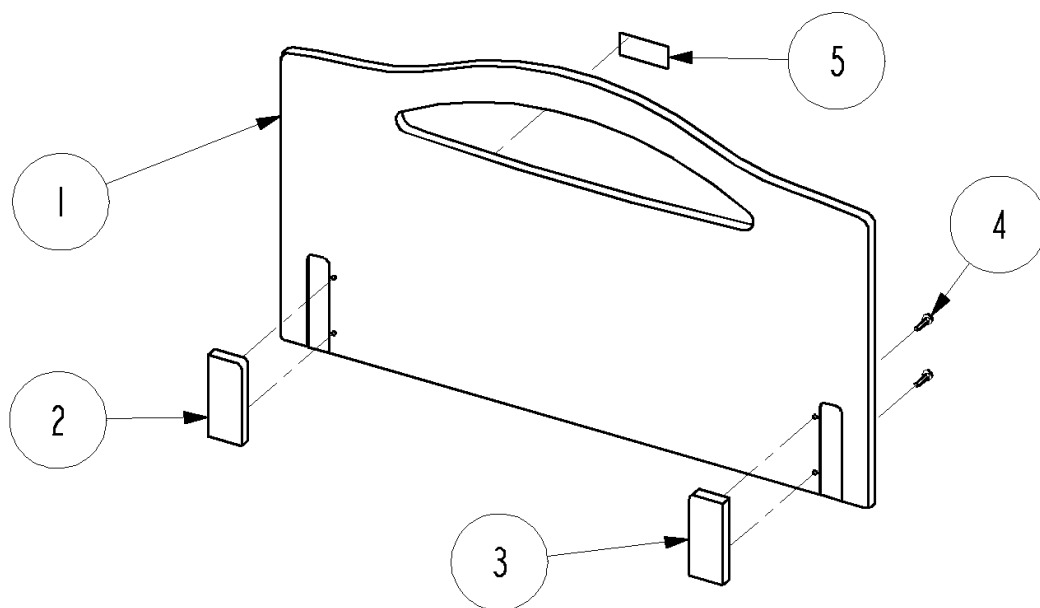


Kirsty wooden bed end without slide bars - 1 pair

Ident. no.: I435271-XXXX

June 2006

Pos.	Qty.	Ident. no.:	Description
1	2		Bed end plate
2	2		Fixation plate, left
3	2		Fixation plate, right
4	8		Furniture screw M6X35
5	2		Label with Invacare logo

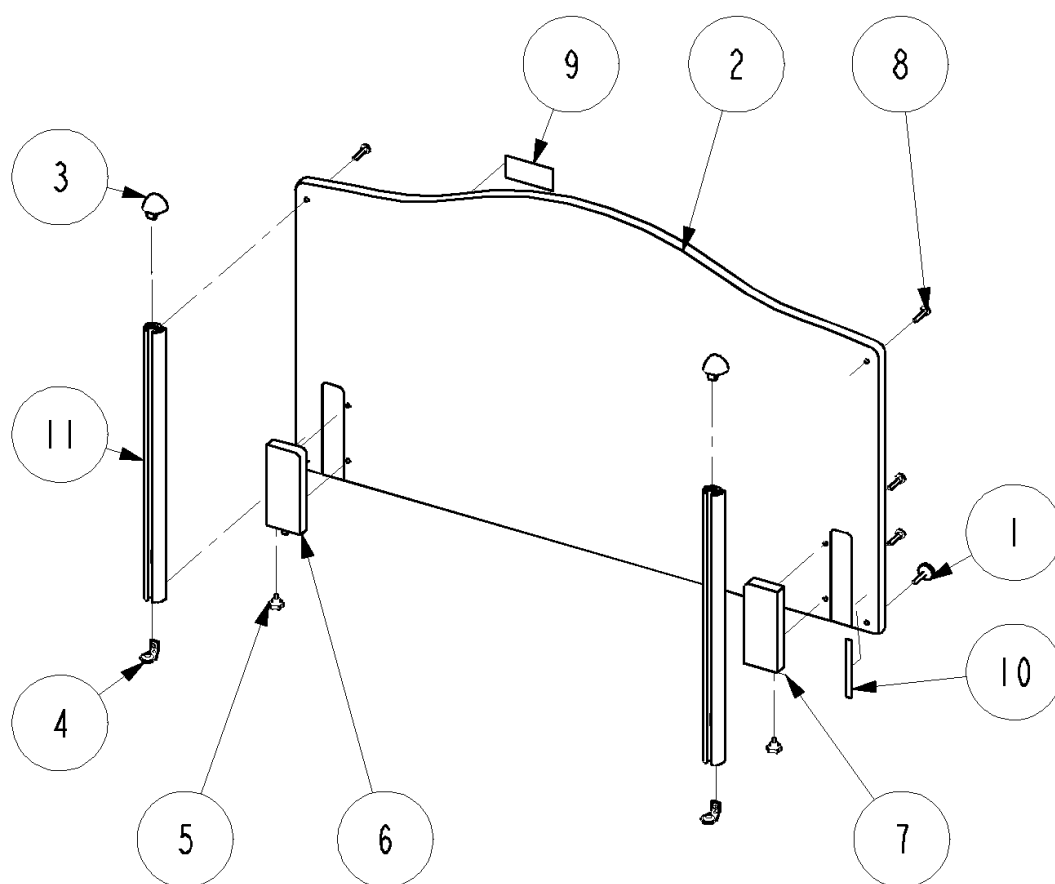


Kirsty wooden bed end with slide bars - 1 pair

Ident. no.: 1446253-XXXX

June 2006

Pos.	Qty.	Ident. no.:	Description
1	4	818322	Adjusting screw M6X40
2	2		Bed end plate
3	4	317882	Slide bar end plug
4	4	1441437	End stop with buffer
5	4	1435176	Finger screw M4X10
6	2		Fixation plate, left
7	2		Fixation plate, right
8	12		Furniture screw M6X35
9	2		Label with Invacare logo
10	4		Tape piece 100X9
11	4		Slide bar with nut

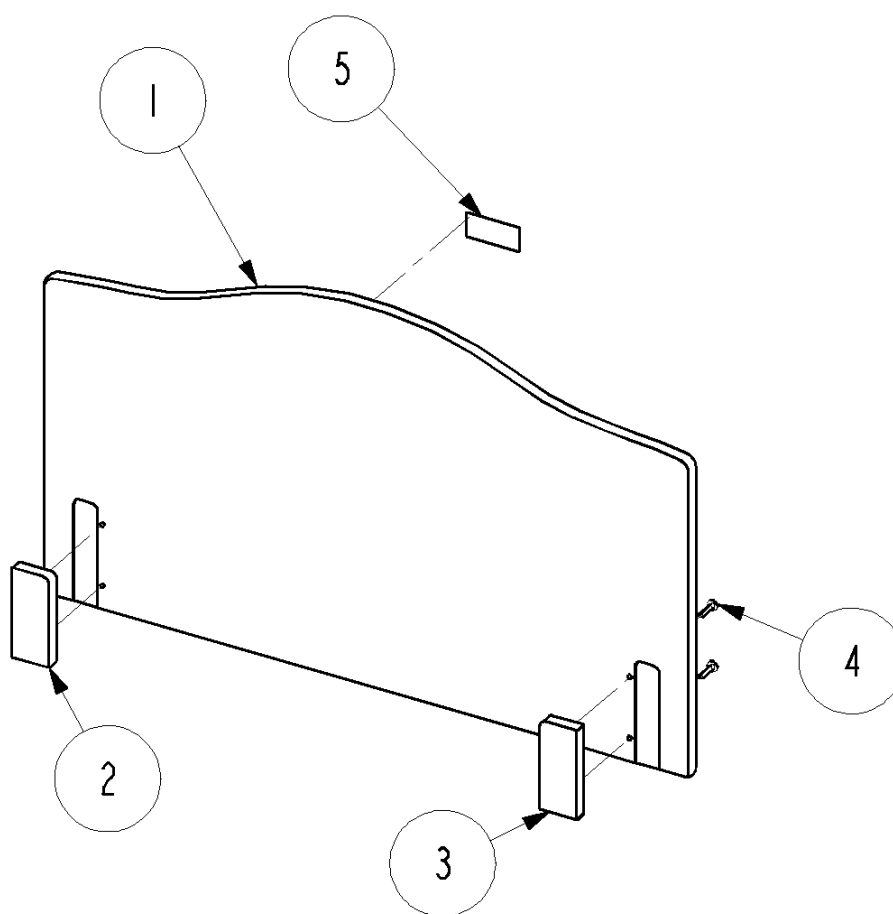


Kirsty wooden bed end without slide bars - 1 pair

Ident. no.: I449717-XXXX

June 2006

Pos.	Qty.	Ident. no.:	Description
1	2		Bed end plate
2	2		Fixation plate, left
3	2		Fixation plate, right
4	8		Furniture screw M6X35
5	2		Label with Invacare logo

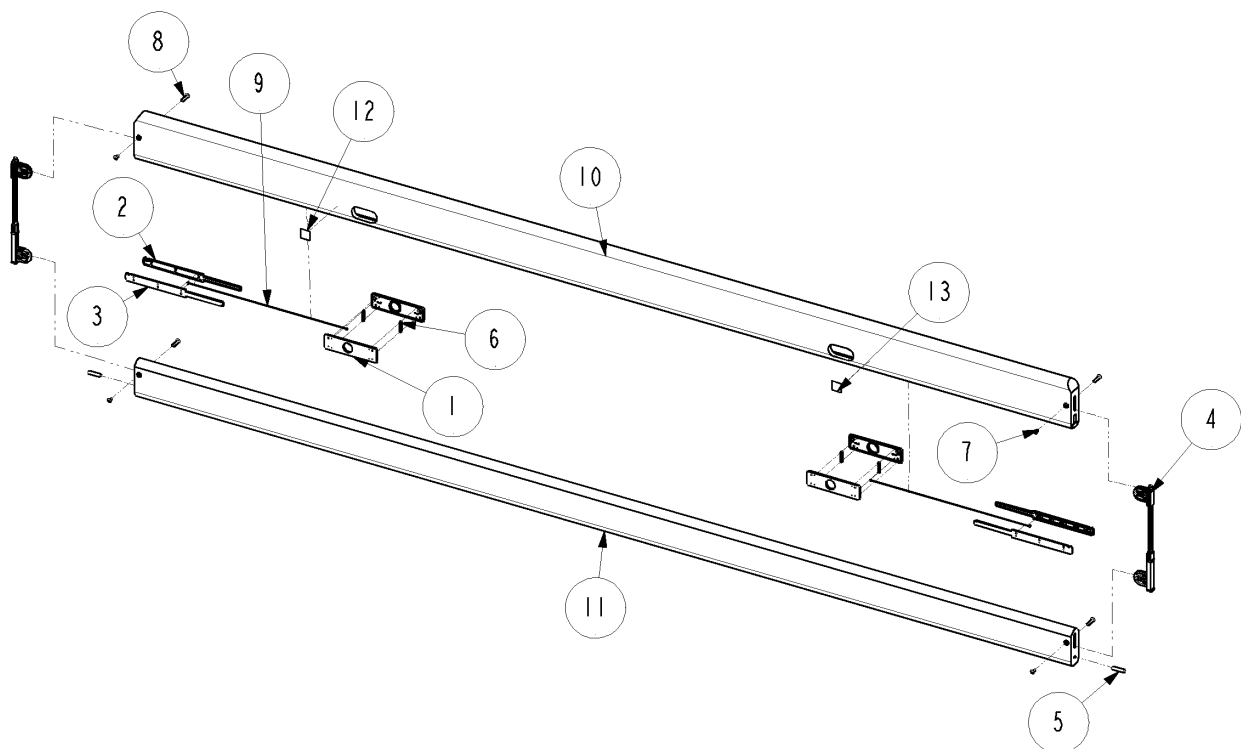


Nina wooden side rail - 1 pair

Ident. no.: I435246-XXXX

June 2006

Pos.	Qty.	Ident. no.:	Description
1	8		Finger release
2	4		Ratchet, left
3	4		Ratchet, right
4	4	319137	Slide runner
5	4	413766	Pivot
6	8		Rubber inlay
7	8	812367	Screw, male
8	8	817265	Screw, female
9	4		Wire for release function
10	2		Upper wooden side rail
11	2		Lower wooden side rail
12	2		Label for release function
13	2		Label for release function
	1	020024	Repair set (contains 2+3+9: 4 pcs. and 1+ 6: 8 pcs.)



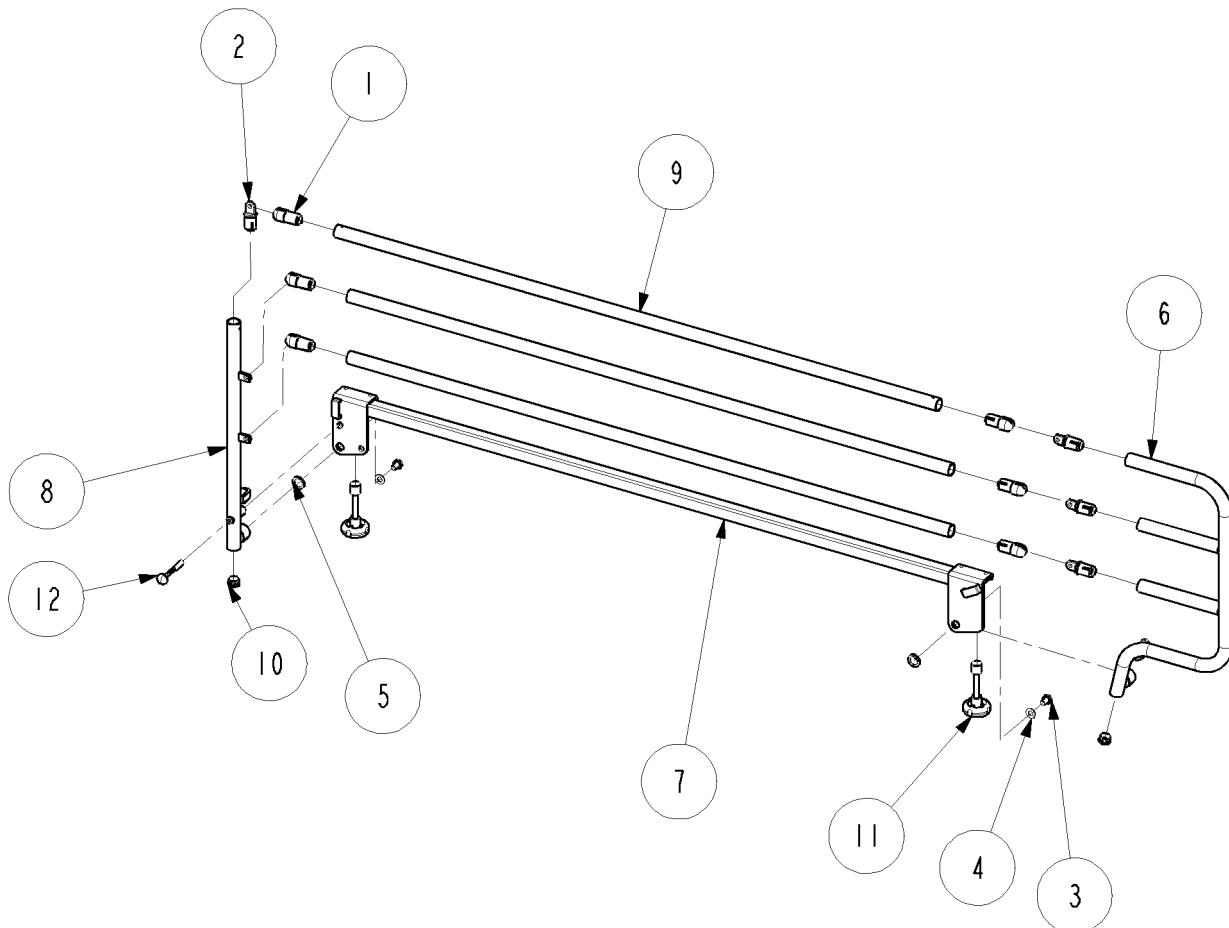
Verso steel side rail - 1 pair

Ident. no.: 63.SDRV00BG

June 2006

Pos.	Qty.	Ident. no.:	Description
1	12		Hinge joint, female
2	8		Hinge joint, male
3	4		Screw M10X16
4	4		Washer Ø10
5	4		Washer Ø26X1,4
6	1		Curved stanchion, left
			Curved stanchion, right
7	1		Lower tube for left side rail
			Lower tube for right side rail
8	1		Straight stanchion, left
			Straight stanchion, right
9	6		Side rail tube
10	4		Ferrule, Ø25
11	4	1441102	Finger screw M10 (includes 1441099)
12	2	1441101	Locking pin with spring (includes 1441098)
11	4	1441099	Plastic bushing for finger screw M10
12	2	1441098	Button for locking pin with spring

Left side rail shown on illustration



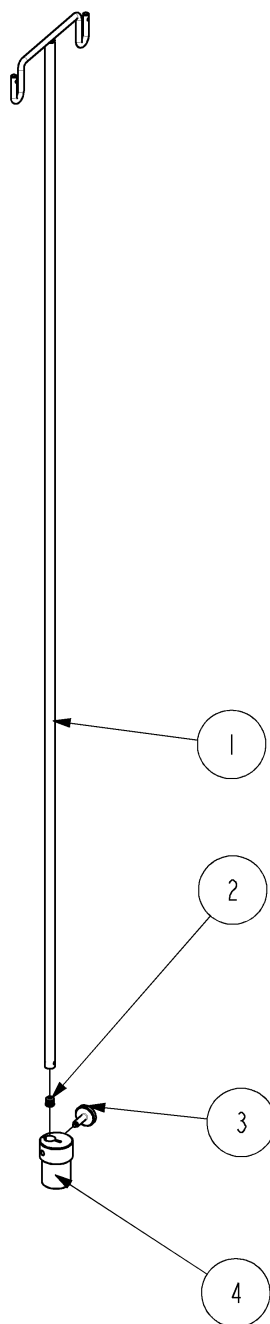
IV drip rod

Ident. no.: 50.60030.XX (drip rod bar with ferrule)

Ident. no.: 50.60910.XX (support with screw)

June 2006

Pos.	Qty.	Ident. no.:	Description
1	1		IV drip rod bar
2	1	804409	Ferrule
3	1	405049	Screw M8X25
4	1	420681	Support for IV drip rod

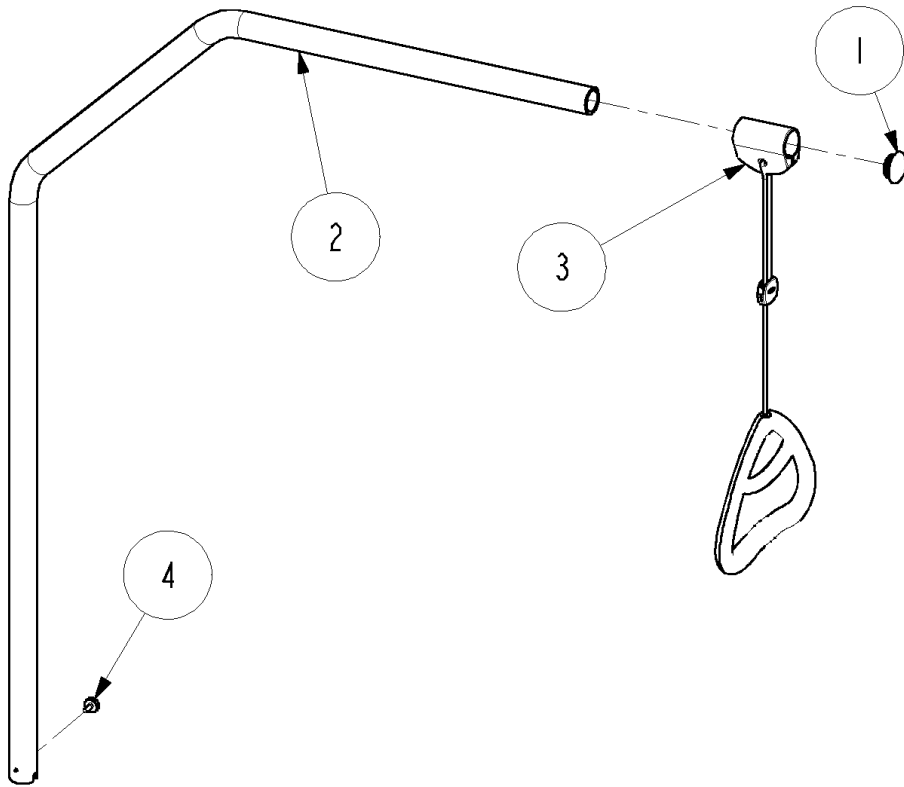


Lifting pole

Ident. no.: 50.57600.XX

June 2006

Pos.	Qty.	Ident. no.:	Description
1	1	317836	Plug for lifting pole
2	1		Lifting pole tube
3	1	320597	Lifting pole handle with cord
4	1	803979	Adjusting screw M6X16

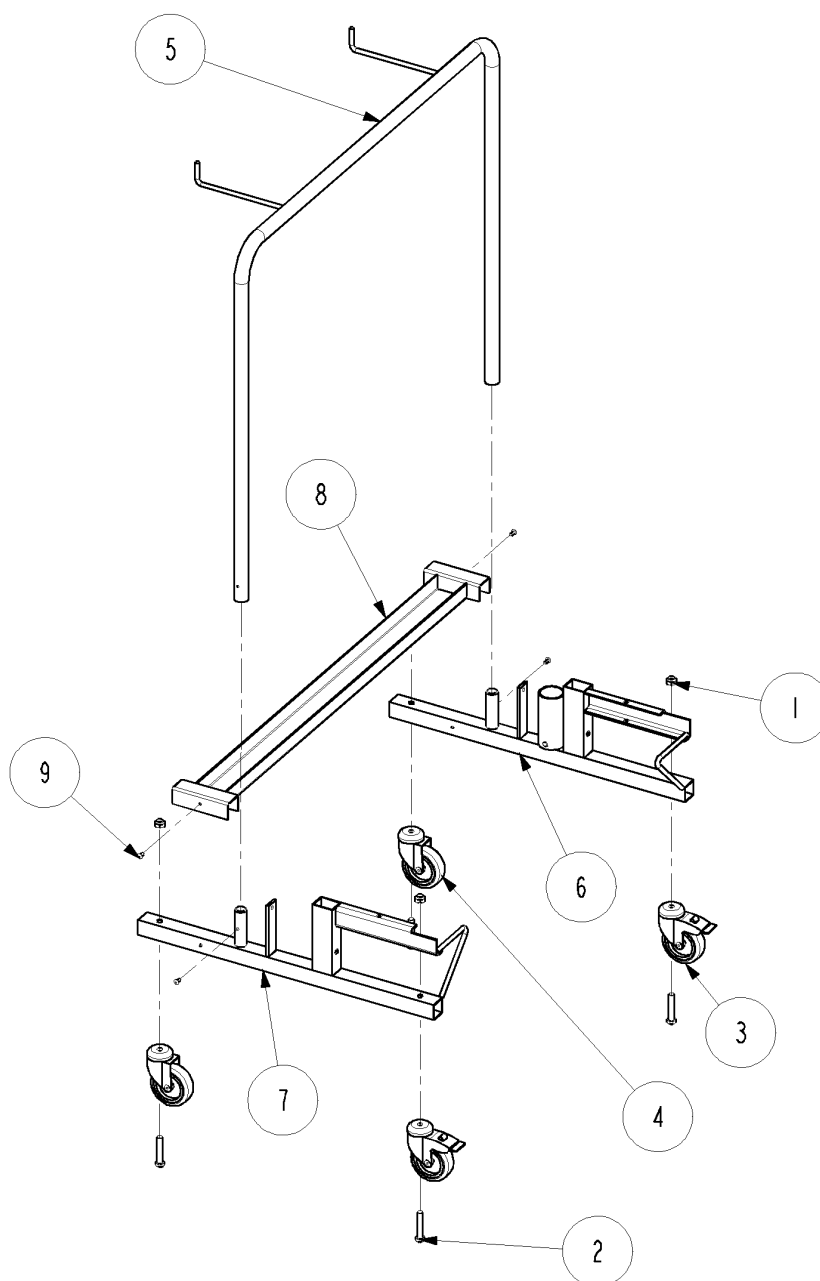


Transport trolley

Ident. no.: 1449720-0152

June 2006

Pos.	Qty.	Ident. no.:	Description
1	4		Nut M10
2	4	1417702	Screw M10X50
3	2	1446257	Wheel with locking function, Ø75
4	2	1446258	Wheel, Ø75
5	1		Tube frame
6	1		Side frame
7	1		Side frame
8	1		Bottom rail
9	4		Rivet Ø4,8X12





Yes, you can.®

Customer Sales and Service

Denmark

INVACARE A/S

Sdr. Ringvej 39
DK-2605 Brøndby
Phone: +45 36 90 00 00
Fax: +45 36 90 00 01
www.invacare.dk
denmark@invacare.com

Sweden & Finland

INVACARE AB

Fagerstagatan 9 / Box 66
S-163 91 Spånga
Phone: +46 8 761 70 90
Fax: +46 8 761 81 08
www.invacare.se
sweden@invacare.com

Norway & Iceland

INVACARE AS

Grensingsvingen 9
Postbox 6230 Etterstad
N-0603 Oslo
Phone: +47 22 57 95 00
Fax: +47 22 57 95 01
www.invacare.no
norway@invacare.com

Spain

INVACARE S.A.

C/Areny S/N
Poligon Industrial de Celrà
E-17460 Celrà (Girona)
Phone: +34 972 49 32 00
Fax: +34 972 49 32 20
www.invacare.es
contactsp@invacare.com

Switzerland

MOBITEC REHAB AG

Benkenstrasse 260
CH-4108 Witterswil
Phone: +41 61 487 70 80
Fax: +41 61 487 70 81
switzerland@invacare.com

Invacare® EC-Høng A/S

Ident. no.: 1441392

Version: 09

Date: 06.2006

Belgium & Luxemburg

INVACARE N.V.

Autobaan 22
B-8210 Loppem, Brügge
Phone: +32 50 83 10 10
Fax: +32 50 83 10 11
www.invacare.be
belgium@invacare.com

Netherlands

INVACARE B.V.

Celsiusstraat 46
NL-6716 BZ Ede
Phone: +31 318 695 757
Fax: +31 318 695 758
www.invacare.nl
care@invacare.com

Germany

AQUATEC GmbH

Alemannenstrasse 10
88316 Isny
Phone: +49 75 62 700 0
Fax: +49 75 62 700 66
www.aquatec.de
info@aquatec.de

Portugal

INVACARE Lda

Rua Senhora de Campanhã 105
P-4369-001 Porto
Phone: +351 225 1059 46/47
Fax: +351 225 1057 39
www.invacare.pt
portugal@invacare.com

Australia

INVACARE Australia Pty Ltd

1 Lenton Place, North Rocks
NSW 2151
Phone: +61 2 8839 5333
Fax: +61 2 8839 5353
www.invacare.com.au
sales@invacare.com.au

France

INVACARE Poirier S.A.S

Route de St. Roch
F-37230 Fondettes
Phone: +33 2 47 62 64 66
Fax: +33 2 47 42 12 24
www.invacare.fr
contactfr@invacare.com

Italy

INVACARE MECC SAN S.R.L.

Via dei Pini 62
I-36016 Thiene (VI)
Phone: +39 0445 38 00 59
Fax: +39 0445 38 00 34
www.invacare.it
italia@invacare.com

United Kingdom & Ireland

INVACARE LTD

South Road
Bridgend Industrial Estate
UK-Bridgend, CF31 3PY
Phone: +44 1 656 664 321
Fax: +44 1 656 667 532
www.invacare.co.uk
uk@invacare.com

New Zealand

INVACARE NZ

4 Westfield Place,
Mt. Wellington
Auckland
Phone: +64 9 917 3939
Fax: +64 9 917 3957
www.invacare.co.nz
sales@invacare.co.nz

Austria

MOBITEC MOBILITÄTSHILFEN GmbH

Herzog Odilostrasse 101
A-5310 Mondsee
Phone: +43 6232 5535 0
Fax: +43 6232 5535 4
www.mobitec-austria.com
austria@invacare.com



QUALITY SYSTEM
DS/EN ISO 9001
DS/EN ISO 13485

Manufacturer:

INVACARE EC-Høng A/S

Østergade 3

DK-4270 Høng

www.invacarebeds.dk